

Teddy 5L Incl. inverter

PCSCHEMATIC Automation

A/S WODSCHOW & Co.
Kirkebjerg Søpark 6
DK-2605 Brøndby, Denmark
www.bearvarimixer.dk



Project title: Teddy 5L	Case no.:	Project rev.:	Page 1
Customer:	DCC:		Scale: 1:1
Page title: Front page	Dwg. no.:	Page rev.:	Previous page:
File name: 31.005-14.01.01_external_use	Eng. (proj/page): CE / CE	Last print: 29-12-2017	Next page: 2
Page ref.:	Appr. (date/init):	Last edit: 04-01-2017	Total no. of pages: 17

documentation Info

This electrical documentation fits on Teddy 5L

- DK version
- CE approval

Comments

There may be several variants of charts like this:

- 1: With and without transformer
- 2: Can be set to two different voltage levels 115v or 230v
- 3: UL or CE approvals

Revision beskrivelser

PCSCHEMATIC Automation

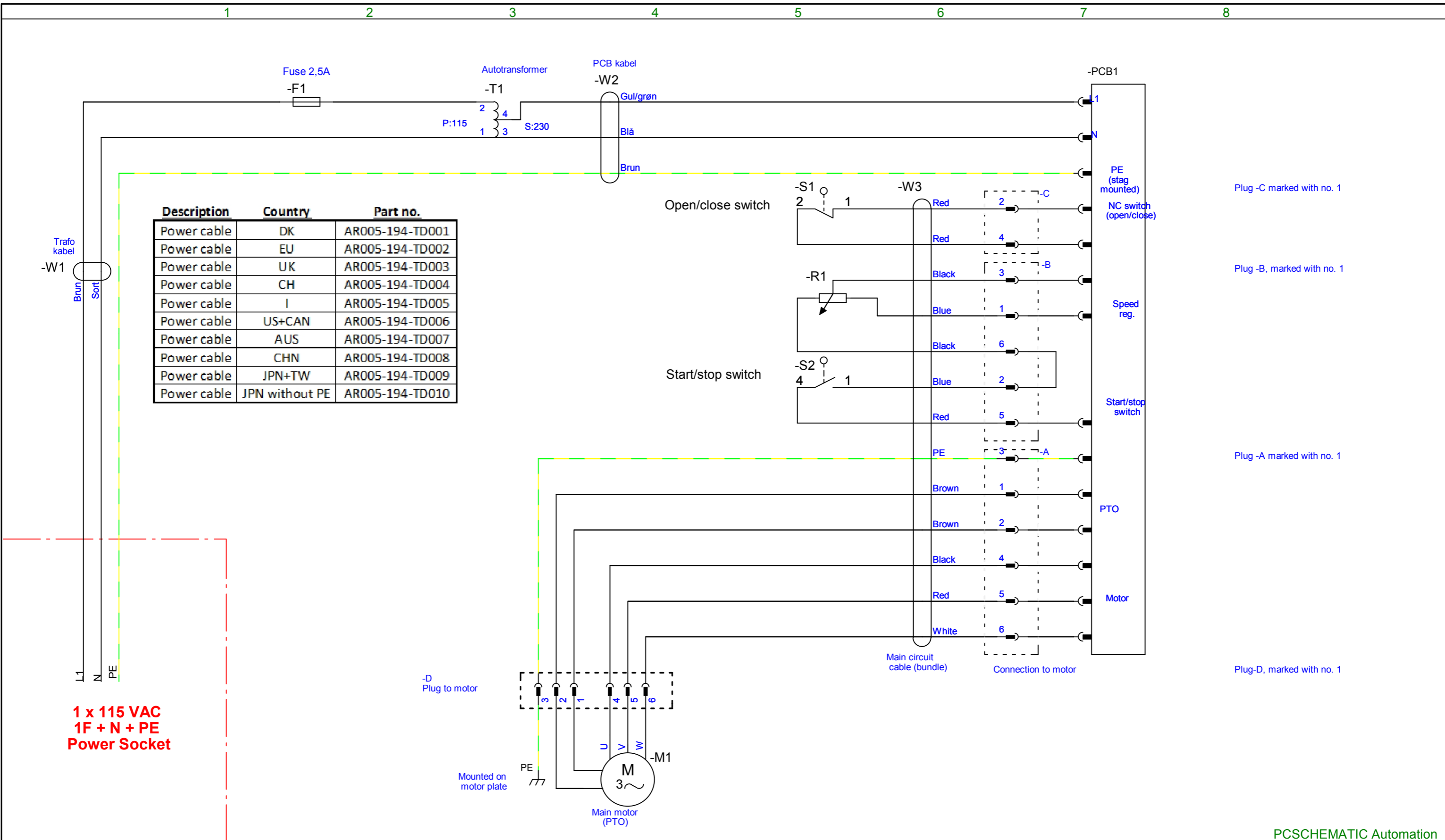
A/S WODSCHOW & Co.

Kirkebjerg Søpark 6
DK-2605 Brøndby, Denmark
www.bearvarimixer.dk



Project title: Teddy 5L	Case no.:	Project rev.:	Page 4
Customer:	DCC: &DB		Scale: 1:1
Page title: Diagram	Dwg. no.:	Page rev.:	Previous page: 3
File name: 31.005-14.01.01_external_use	Eng. (proj/page): CE	Last print: 29-12-2017	Next page: 5
Page ref.:	Appr. (date/init):	Last edit: 06-10-2017	Total no. of pages: 17

Diagram



**1 x 115 VAC
1F + N + PE
Power Socket**

Plug -C marked with no. 1
 Plug -B, marked with no. 1
 Plug -A marked with no. 1
 Plug -D, marked with no. 1

Lists

Component	Article	Type	Description	Position
-F1	R20E-418.6	Fuse 2,5A		/5.2
-M1	AR005-085-TD001/01	3F, 230V, 300W, PTO		/5.4
-PCB1	AR005-378-TS001	PCB Teddy 5L		/5.7
-R1	-	Variable Potentiometer		/5.5
-S1	56SN20-30	Open/close switch		/5.5
-S2	AR005-172-00001	Start/stop switch		/5.5
-T1	AR005-430.00001	Autotransformer P:115/S:230		/5.3
-W1	-			/5.1
-W2	-			/5.4
-W3	AR005-193-TS001	Hovedkreds kabel (bundt)		/5.6
-X1				/5.7
-X2				/5.7
-X3				/5.7



Project title: Teddy 5L	Case no.:	Project rev.:	Page 7
Customer:	DCC: %PD		Scale: 1:1
Page title: Component List	Dwg. no.:	Page rev.:	Previous page: 6
File name: 31.005-14.01.01_external_use	Eng. (proj/page): CE / CE	Last print: 29-12-2017	Next page: 8
Page ref.:	Appr. (date/init):	Last edit: 04-01-2017	Total no. of pages: 17

From			Cable		To			Type
			-W1	Brun	-F1	1	/5.1	
			-W1	Sort	-T1	1	/5.3	
-T1	3	/5.3	-W2	Blå	-PCB1		/5.7	
			-W2	Brun	-PCB1		/5.7	
-T1	4	/5.3	-W2	Gul/grøn	-PCB1		/5.7	
-X2	6	/5.6	-W3	Black				Hovedkreds kabel (bundt)
-X2	3	/5.6	-W3	Black				Hovedkreds kabel (bundt)
-X3	4	/5.6	-W3	Black			/5.4	Hovedkreds kabel (bundt)
-X2	1	/5.6	-W3	Blue				Hovedkreds kabel (bundt)
-X2	2	/5.6	-W3	Blue	-S2	1	/5.5	Hovedkreds kabel (bundt)
-X3	2	/5.6	-W3	Brown			/5.3	Hovedkreds kabel (bundt)
-X3	1	/5.6	-W3	Brown			/5.3	Hovedkreds kabel (bundt)
-X3	3	/5.6	-W3	PE			/5.3	Hovedkreds kabel (bundt)
-X3	5	/5.6	-W3	Red			/5.4	Hovedkreds kabel (bundt)
-X2	5	/5.6	-W3	Red	-S2	4	/5.5	Hovedkreds kabel (bundt)
-X1	4	/5.6	-W3	Red	-S1	2	/5.5	Hovedkreds kabel (bundt)
-X1	2	/5.6	-W3	Red	-S1	1	/5.5	Hovedkreds kabel (bundt)
-X3	6	/5.6	-W3	White			/5.4	Hovedkreds kabel (bundt)



Page no.	Title	Page remarks	Revision	Last edit
1	Front page			04-01-2017
2	Indeks			06-10-2017
3	Indholdsfortegnelse			29-12-2017
4	Diagram			06-10-2017
	Diagram			
5	Diagram			24-04-2017
	Lists			
6	Part list			04-01-2017
7	Component List			04-01-2017
8	Cable list			06-10-2017
9	Page Comments (log)			29-12-2017
	Component Plan			
11	Component Plan			04-01-2017
	Cable plan			

PCSCHEMATIC Automation



Page no.	Title	Page remarks	Revision	Last edit
12	kabelplan			13-12-2017
13	kabelplan			03-01-2017

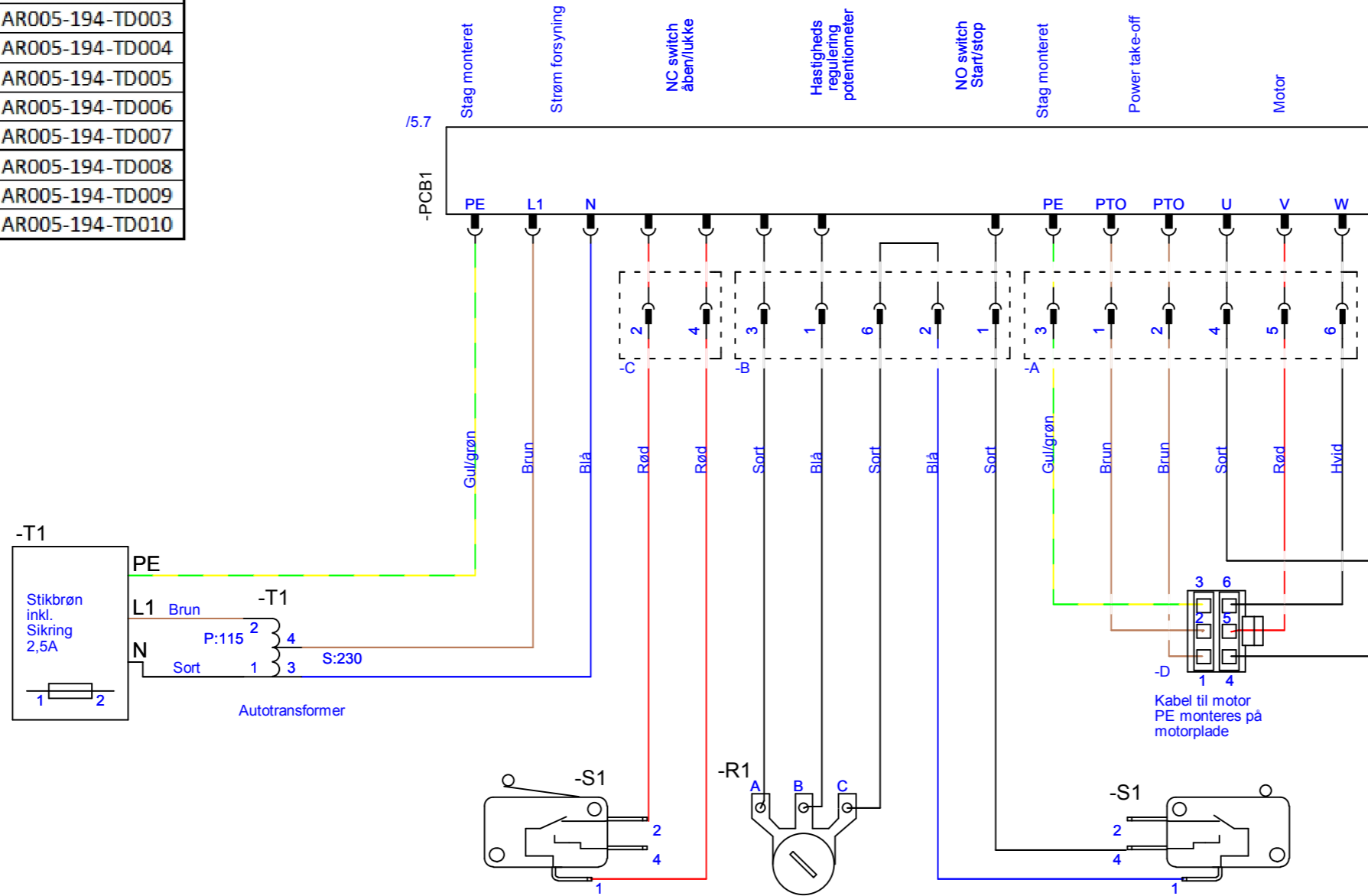
PCSCHEMATIC Automation



Project title: Teddy 5L	Case no.:	Project rev.:	Page 10
Customer:	DCC:		Scale: 1:1
Page title: Page Comments (log)	Dwg. no.:	Page rev.:	Previous page: 9
File name: 31.005-14.01.01_external_use	Eng. (proj/page): CE	Last print: 29-12-2017	Next page: 11
Page ref.:	Appr. (date/init):	Last edit: 13-12-2017	Total no. of pages: 17

Component Plan

Description	Country	Part no.
Power cable	DK	AR005-194-TD001
Power cable	EU	AR005-194-TD002
Power cable	UK	AR005-194-TD003
Power cable	CH	AR005-194-TD004
Power cable	I	AR005-194-TD005
Power cable	US+CAN	AR005-194-TD006
Power cable	AUS	AR005-194-TD007
Power cable	CHN	AR005-194-TD008
Power cable	JPN+TW	AR005-194-TD009
Power cable	JPN without PE	AR005-194-TD010



Stik -A, mærkes med nr. 3
 Stik -B, mærkes med nr. 2
 Stik -C, mærkes med nr. 1
 Stik -D, mærkes med nr. 3

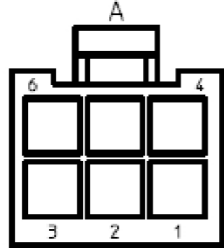


Project title: Teddy 5L	Case no.:	Project rev.:	Page 11
Customer:	DCC: &LU		Scale: 1:1
Page title: Component Plan	Dwg. no.: 02	Page rev.:	Previous page: 10
File name: 31.005-14.01.01_external_use	Eng. (proj/page): CE / CE	Last print: 29-12-2017	Next page: 12
Page ref.:	Appr. (date/init):	Last edit: 04-01-2017	Total no. of pages: 17

Cable plan

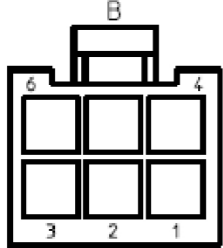
All cables must be connected to sockets according to numbers through the rubber grommet.

Mark with number 3 on plug



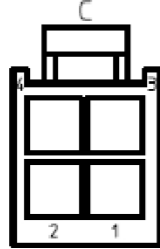
R20E-510.6
Molex 39-01-2060
Molex 29-00-0038

Mark with number 2 on plug



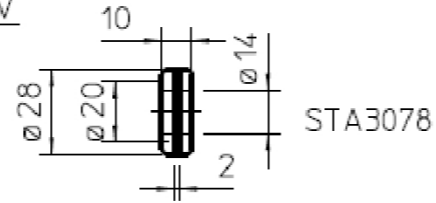
R20E-510.6
Molex 39-01-2060
Molex 29-00-0038

Mark with number 1 on plug

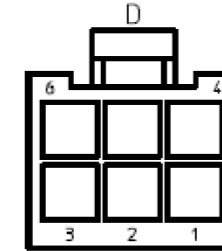


R20E-510.4
Molex 39-01-2040
Molex 29-00-0038

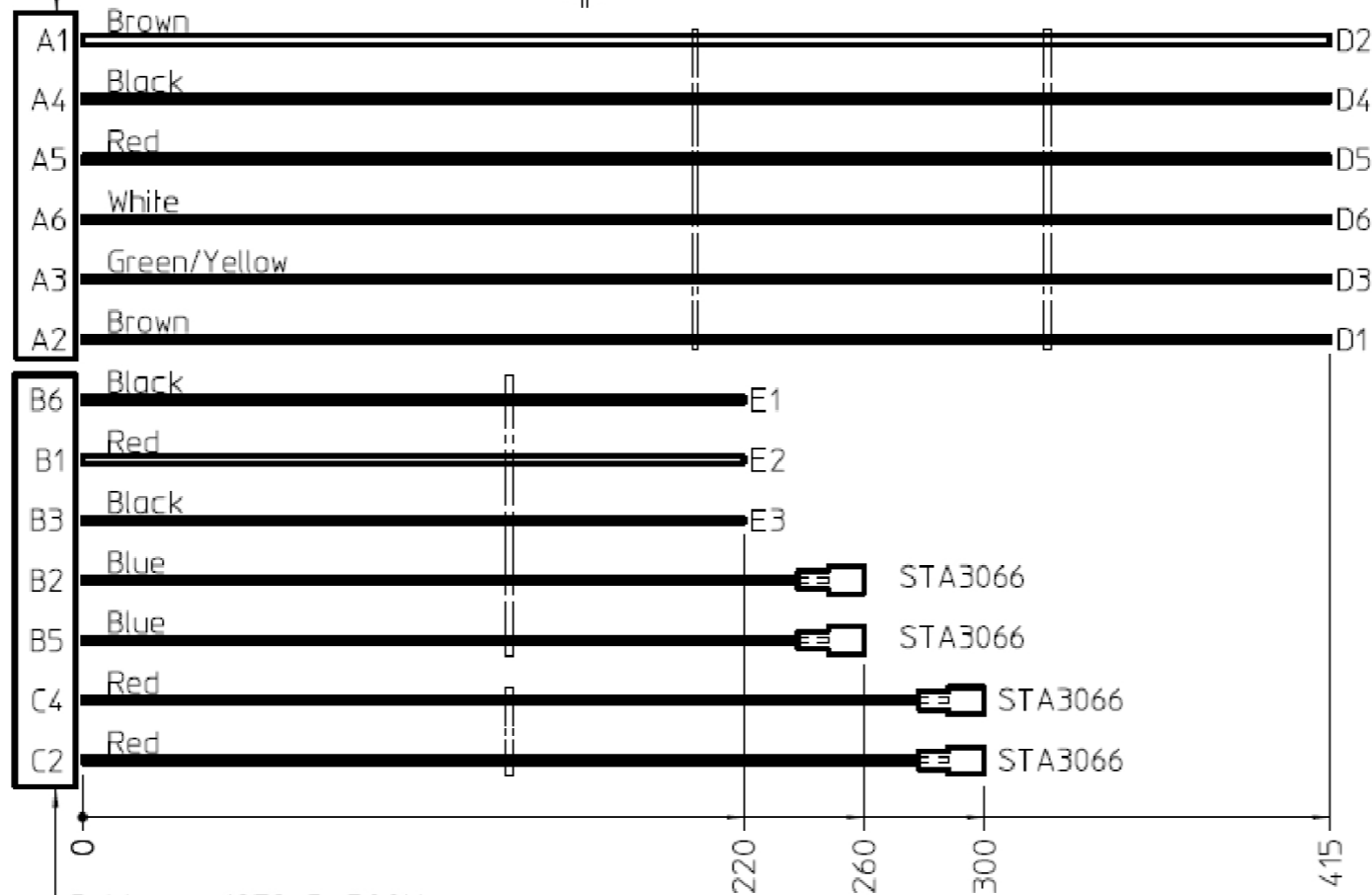
Cables - 130° C, 300V
18 AWG UL3321



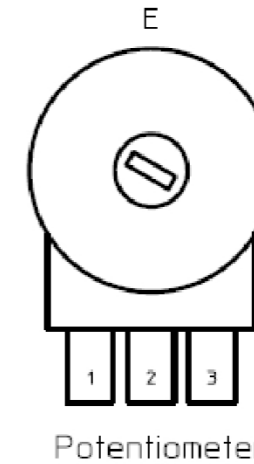
Mark with number 3 on plug



R20E-510.6
Molex 39-01-2060
Molex 29-00-0038



Cables - 105° C, 300V
18 AWG UL1007



Sockets: Molex mini fit Jr. Series
UL FILE E29179
STA3066: Ultra-Fast Faston Receptacle Tyco/AMP 2-520183-2
UL FILE E66717

A/S WODSCHOW & CO.		date: 07-05-03
proj.:	1:2	auth: OBN
All cables: 0,75mm ²		
Main Cable Bundle		
figurr.:	AR005-193-TD001	rev: 07

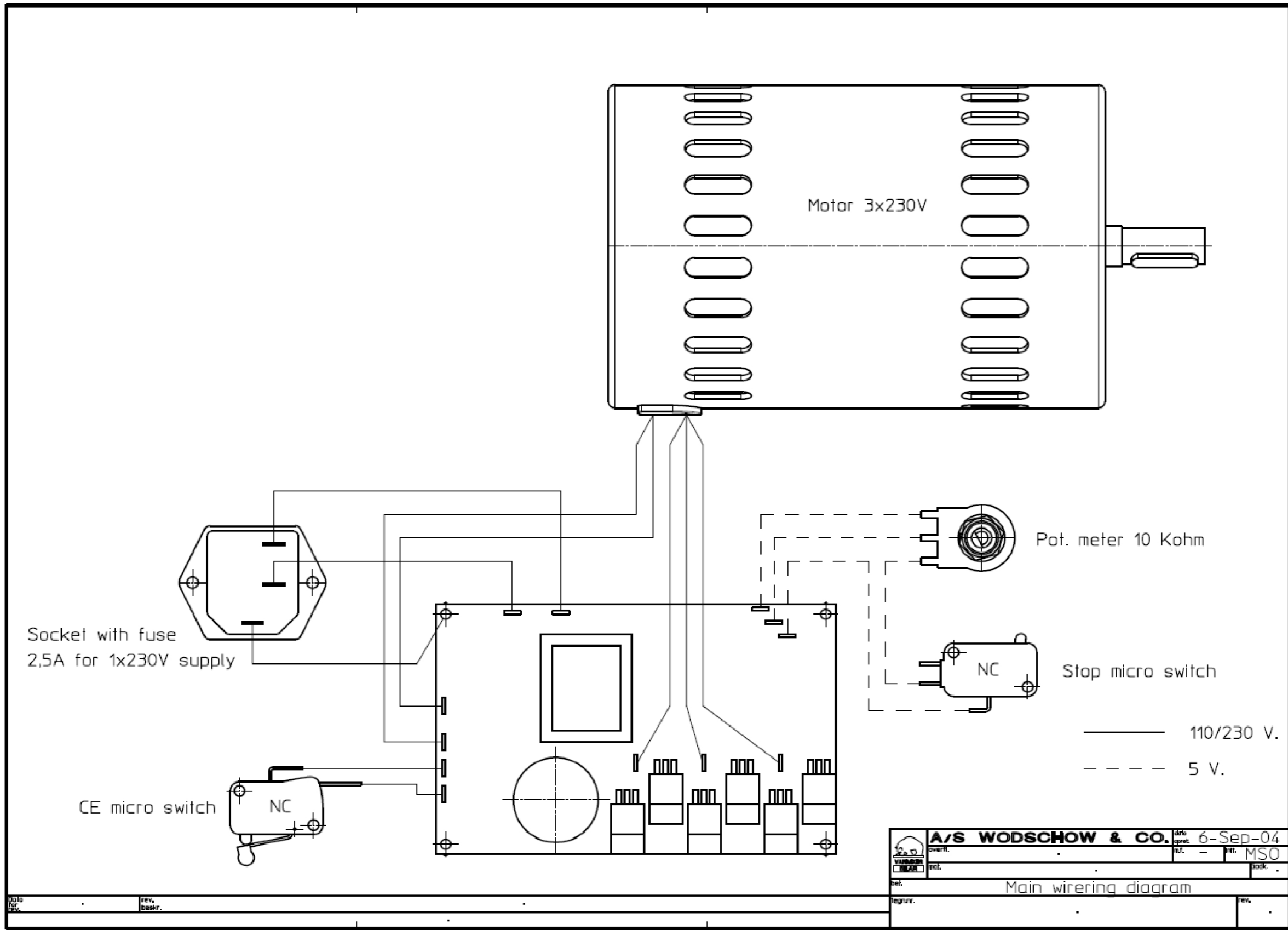
03-01-17

Cable updated VSH

PCSCHMATIC Automation



Project title: Teddy 5L	Case no.:	Project rev.:	Page 12
Customer:	DCC: &MB		Scale: 1:1
Page title: kabelplan	Dwg. no.: 03	Page rev.:	Previous page: 11
File name: 31.005-14.01.01_external_use	Eng. (proj/page): CE / CE	Last print: 29-12-2017	Next page: 13
Page ref.:	Appr. (date/init):	Last edit: 13-12-2017	Total no. of pages: 17



PCSCHEMATIC Automation



Project title: Teddy 5L	Case no.:	Project rev.:	Page 13
Customer:	DCC: &MB		Scale: 1:1
Page title: kabelplan	Dwg. no.: 04	Page rev.:	Previous page: 12
File name: 31.005-14.01.01_external_use	Eng. (proj/page): CE / CE	Last print: 29-12-2017	Next page:
Page ref.:	Appr. (date/init):	Last edit: 03-01-2017	Total no. of pages: 17