

# VL-1S

# 1x200-240VAC+PE

PCSCHEMATIC Automation



<b>Project title:</b> VL-1S	<b>Case no.:</b>	<b>Project rev.:</b>	<b>Page</b> 1
<b>Customer:</b>	<b>DCC:</b>		<b>Scale:</b> 1:1
<b>Page title:</b> Front	<b>Dwg. no.:</b>	<b>Page rev.:</b>	<b>Previous page:</b>
<b>File name:</b> 31.040-11.02.01_external_use	<b>Eng. (proj/page):</b> CE / CE	<b>Last print:</b> 20-12-2017	<b>Next page:</b> 2
<b>Page ref.:</b>	<b>Appr. (date/init):</b>	<b>Last edit:</b> 13-12-2016	<b>Total no. of pages:</b> 23





**Documentations Info**

This electrical documentation fits on VL-1S

- 1P + N + PE
- ENG version
- CE Approved
- 200VAC - 2400VAC

**Comments**

There will be several variants of charts like this:

- With and without bowl detection
- With and without transformer
- UL or CE approvals

Further, it should be noted that there will be some old versions which will be phase objections along the way, this problem will this be rectified.

**Voltage variations**

- 1F + N, 115V
- 1F + N, 200V - 240V
- 3F, 200V - 240V
- 3F, 380V - 480V
- 3F + N, 380V - 480V

**Revision descriptions**

- Rev. 01 Drawing. no. 03, page 7: Wire transfer of PCBs added
- Rev. 02, Drawing. No. 03, page 7, boiler detection added

PCSCHEMATIC Automation

**A/S WODSCHOW & Co.**

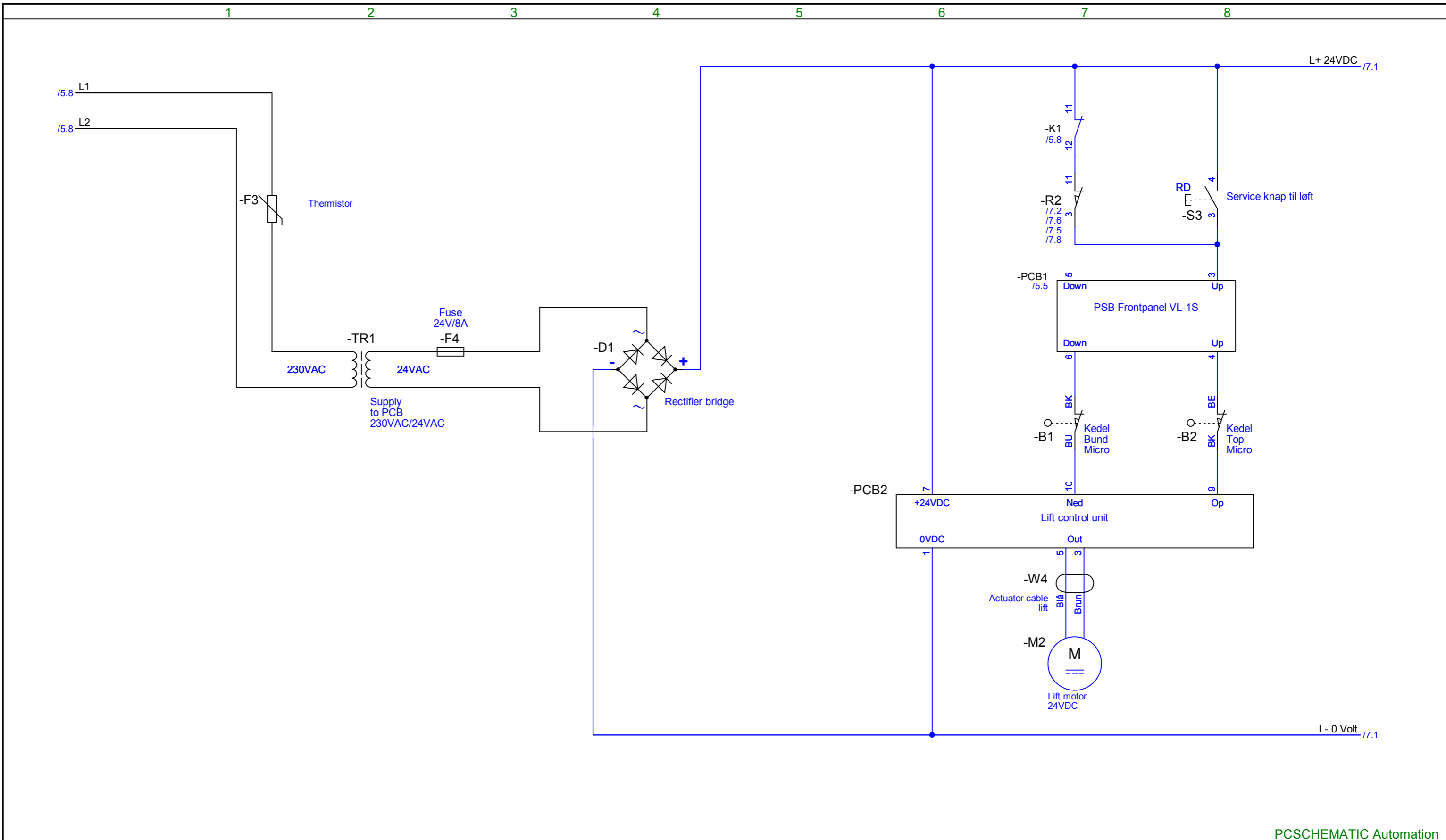
Kirkebjerg Søpark 6  
DK-2605 Brøndby, Denmark  
[www.bearvarimixer.dk](http://www.bearvarimixer.dk)



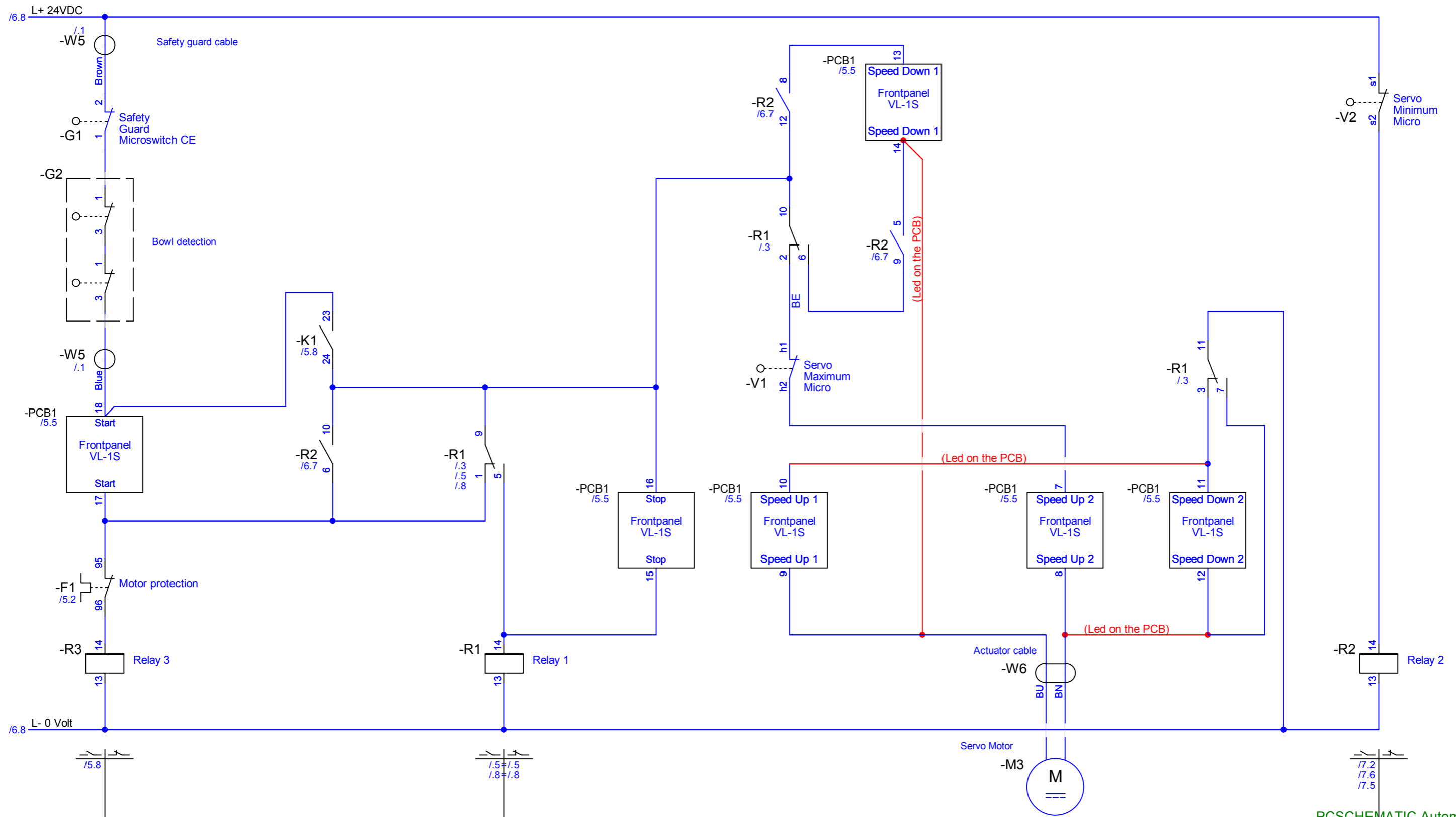
<b>Project title:</b> VL-1S	<b>Case no.:</b>	<b>Project rev.:</b>	<b>Page</b> 4
Customer:	DCC: &DB		Scale: 1:1
Page title: Diagram	Dwg. no.:	Page rev.:	Previous page: 3
File name: 31.040-11.02.01_external_use	Eng. (proj/page): CE	Last print: 20-12-2017	Next page: 5
Page ref.:	Appr. (date/init):	Last edit: 23-10-2017	Total no. of pages: 23

# Diagram





<b>Project title:</b> VL-1S	<b>Case no.:</b>	<b>Project rev.:</b>	<b>Page</b> 6
<b>Customer:</b>	DCC: &FS		Scale: 1:1
<b>Page title:</b> Diagram	Dwg. no.: 02	Page rev.:	Previous page: 5
<b>File name:</b> 31.040-11.02.01_external_use	Eng. (proj/page): CE / CE	Last print: 20-12-2017	Next page: 7
<b>Page ref.:</b>	Appr. (date/init):	Last edit: 23-10-2017	Total no. of pages: 23



PCSCHMATIC Automation

**A/S WODSCHOW & Co.**  
 Kirkebjerg Søpark 6  
 DK-2605 Brøndby, Denmark  
[www.bearvarimixer.dk](http://www.bearvarimixer.dk)



<b>Project title:</b> VL-1S	<b>Case no.:</b>	<b>Project rev.:</b>	<b>Page</b> 7
<b>Customer:</b>	DCC: &FS		<b>Scale:</b> 1:1
<b>Page title:</b> Diagram	Dwg. no.: 03	<b>Page rev.:</b> 02	<b>Previous page:</b> 6
<b>File name:</b> 31.040-11.02.01_external_use	<b>Eng. (proj/page):</b> CE / CE	<b>Last print:</b> 20-12-2017	<b>Next page:</b> 8
<b>Page ref.:</b>	<b>Appr. (date/init):</b>	<b>Last edit:</b> 23-10-2017	<b>Total no. of pages:</b> 23

# Lists



Component	Article	Type	Description	Position
-B1	AR61-522	CE micro		/6.7
-B2	AR61-522	CE micro		/6.8
-D1	R150E-425	Rectifier bridge		/6.4
-F1	R20-88.24	Thermo relay TI16		/5.2
-F2	R20E-418.2	Fuse 230V/1,5A		/5.3
-F3	-	Thermistor		/6.1
-F4	R20E-418.8	Fuse 24V/8A		/6.3
-G1	56P30-15.4	Safety guard Microswitch CE		/7.1
-G2	56CR10-111M	Kedel detektering		/7.1
-K1	R20-88.8	Contactora main motor CI9		/5.2
-K1	R20-88.44	Hjælpe kontakt NO		/5.6
-M1	R60-85.32	Main motor 1F, 1,5kW (CE)		/5.2
-M2	AR30-86.2	Lift motor 24VDC (aktuator)		/6.7
-M3	AR30-517	Servo motor Speed 24VDC (actuato)		/7.7
-PCB1	AR31-530.6M	Frontpanel VL-1S		/5.5
-PCB2	AR30-425	Lift control unit		/6.7
-R1	AR30-423.1	Relæ 24VDC, 4 polet		/7.3
-R2	AR30-423.1	Relæ 24VDC, 4 polet		/6.7
-R3	AR140E-420	Relay 24VDC		/5.8
-S1	AR31-174.14	Emergency stop NC		/5.4
-S3	AR31-174.19	Mini trykknapp NO (service)		/6.8
-TR1	R60E-430.1	Transformer P:230/S:24 inkl. Thermistor		/6.2
-V1	56SN20-30	Microswitch til servomotor		/7.5
-V2	56SN20-30	Microswitch til servomotor		/7.8
-W1	RN30-194.3M	Main Power Cable, 3F (CE)		/5.1
-W2	RN30-194.10M	Motor cable		/5.2
-W4	AR30-194.22M	Actuator cable 0,6m		/6.7
-W5	-	-		/7.1

PCSCHEMATIC Automation



<b>Project title:</b> VL-1S	<b>Case no.:</b>	<b>Project rev.:</b>	<b>Page</b> 9
<b>Customer:</b>	DCC: &PD		<b>Scale:</b> 1:1
<b>Page title:</b> Component list	<b>Dwg. no.:</b>	<b>Page rev.:</b>	<b>Previous page:</b> 8
<b>File name:</b> 31.040-11.02.01_external_use	<b>Eng. (proj/page):</b> CE / CE	<b>Last print:</b> 20-12-2017	<b>Next page:</b> 10
<b>Page ref.:</b>	<b>Appr. (date/init):</b>	<b>Last edit:</b> 06-09-2017	<b>Total no. of pages:</b> 23

Component	Article	Type	Description	Position
-W5	AR31-193M	Safety guard cable		/7.1
-W6	AR30-194.23M	Actuator cable servo 1,2m		/7.6
-X1	AR31-458	PE		/5.3



<b>Project title:</b> VL-1S	<b>Case no.:</b>	<b>Project rev.:</b>	<b>Page</b> 10
Customer:	DCC: &PD		Scale: 1:1
Page title: Component list	Dwg. no.:	Page rev.:	Previous page: 9
File name: 31.040-11.02.01_external_use	Eng. (proj/page): CE / CE	Last print: 20-12-2017	Next page: 11
Page ref.:	Appr. (date/init):	Last edit: 06-09-2017	Total no. of pages: 23

From		Cable		To			Type
			<b>-W1</b>				Main Power Cable, 3F (CE)
-S1	1	/5.4	<b>-W1</b>	Blå			Main Power Cable, 3F (CE)
-F2	1	/5.3	<b>-W1</b>	Brun	-R3	5 /5.8	Main Power Cable, 3F (CE)
-X1		/5.3	<b>-W1</b>	Gul/grøn			Main Power Cable, 3F (CE)
			<b>-W2</b>				Motor cable
-F1	2	/5.2	<b>-W2</b>	Blue	-M1	U /5.2	Motor cable
-F1	4	/5.2	<b>-W2</b>	Brown	-M1	V /5.2	Motor cable
-X1		/5.2	<b>-W2</b>	Yellow/green	-M1	PE /5.2	Motor cable
			<b>-W4</b>				
-PCB2	5	/6.7	<b>-W4</b>	Blå	-M2	/6.7	Actuator cable 0,6m
-PCB2	3	/6.7	<b>-W4</b>	Brun	-M2	/6.7	Actuator cable 0,6m
			<b>-W5</b>				
-G1	3	/7.1	<b>-W5</b>	Blue	-K1	23 /7.2	-
-V2	s1	/7.8	<b>-W5</b>	Brown	-G1	2 /7.1	Safety guard cable
			<b>-W6</b>				
-R1	7	/7.8	<b>-W6</b>	BN	-M3	/7.7	Actuator cable servo 1,2m
-PCB1	14	/7.6	<b>-W6</b>	BU	-M3	/7.7	Actuator cable servo 1,2m

Page no.	Title	Page remarks	Revision	Last edit
1	Front			13-12-2016
2	Indeks			13-12-2016
3	Table of contents			20-12-2017
4	Diagram			23-10-2017
	Diagram			
5	Diagram			20-12-2017
6	Diagram			23-10-2017
7	Diagram		02	23-10-2017
	Lists			
8	Part list			06-09-2017
9	Component list			06-09-2017
11	Cable list			06-09-2017
12	Comments (log)			20-12-2017
	Component Placement			

PCSCHEMATIC Automation



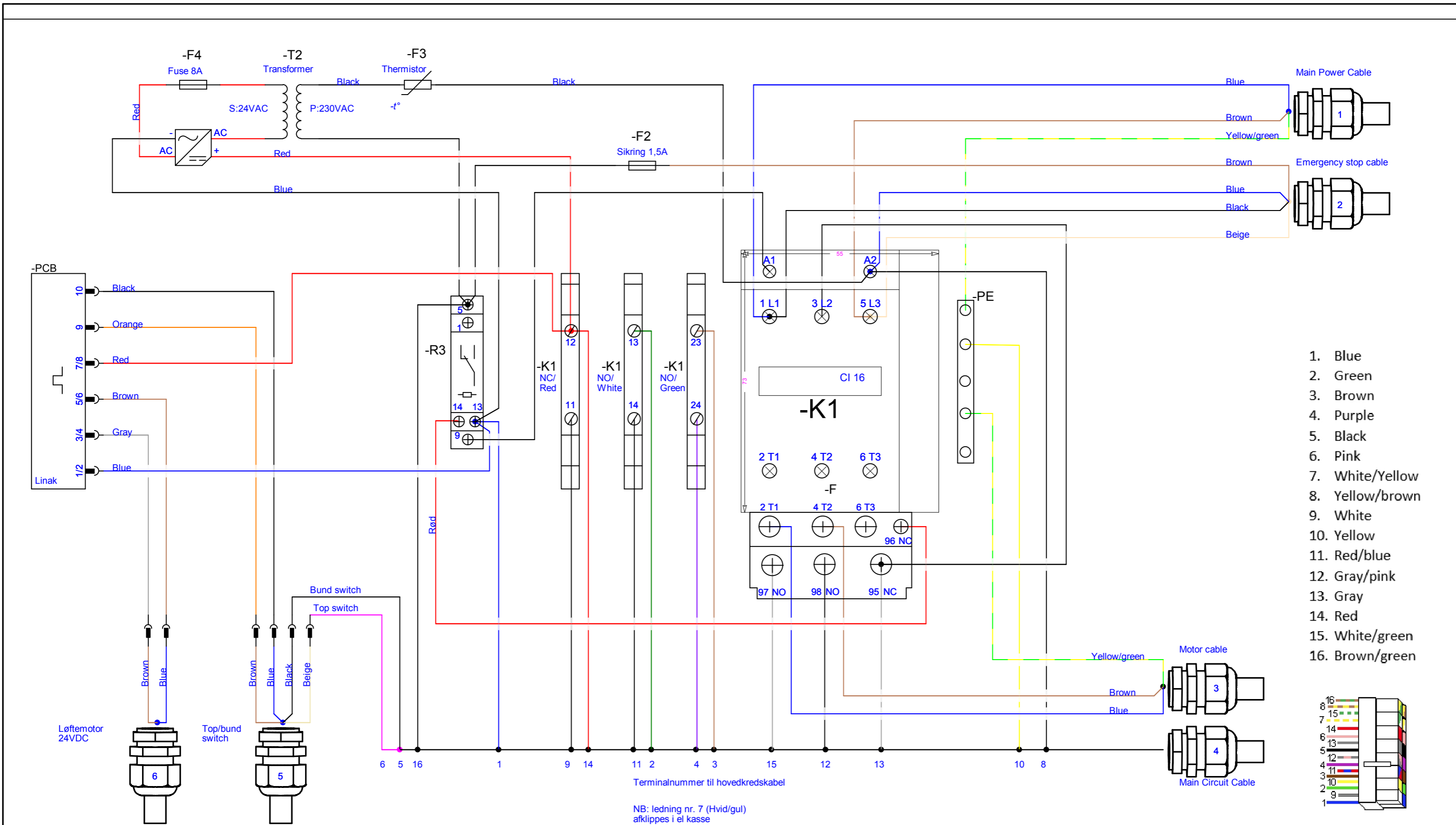
Page no.	Title	Page remarks	Revision	Last edit
14	component placement			14-12-2016
15	Component Placement			23-10-2017
	PCB diagram			
16	PCB diagram			13-12-2016
17	PCB diagram			13-12-2016
18	PCB diagram			13-12-2016
19	PCB diagram			13-12-2016

PCSCHEMATIC Automation



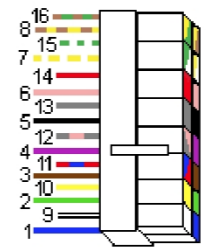
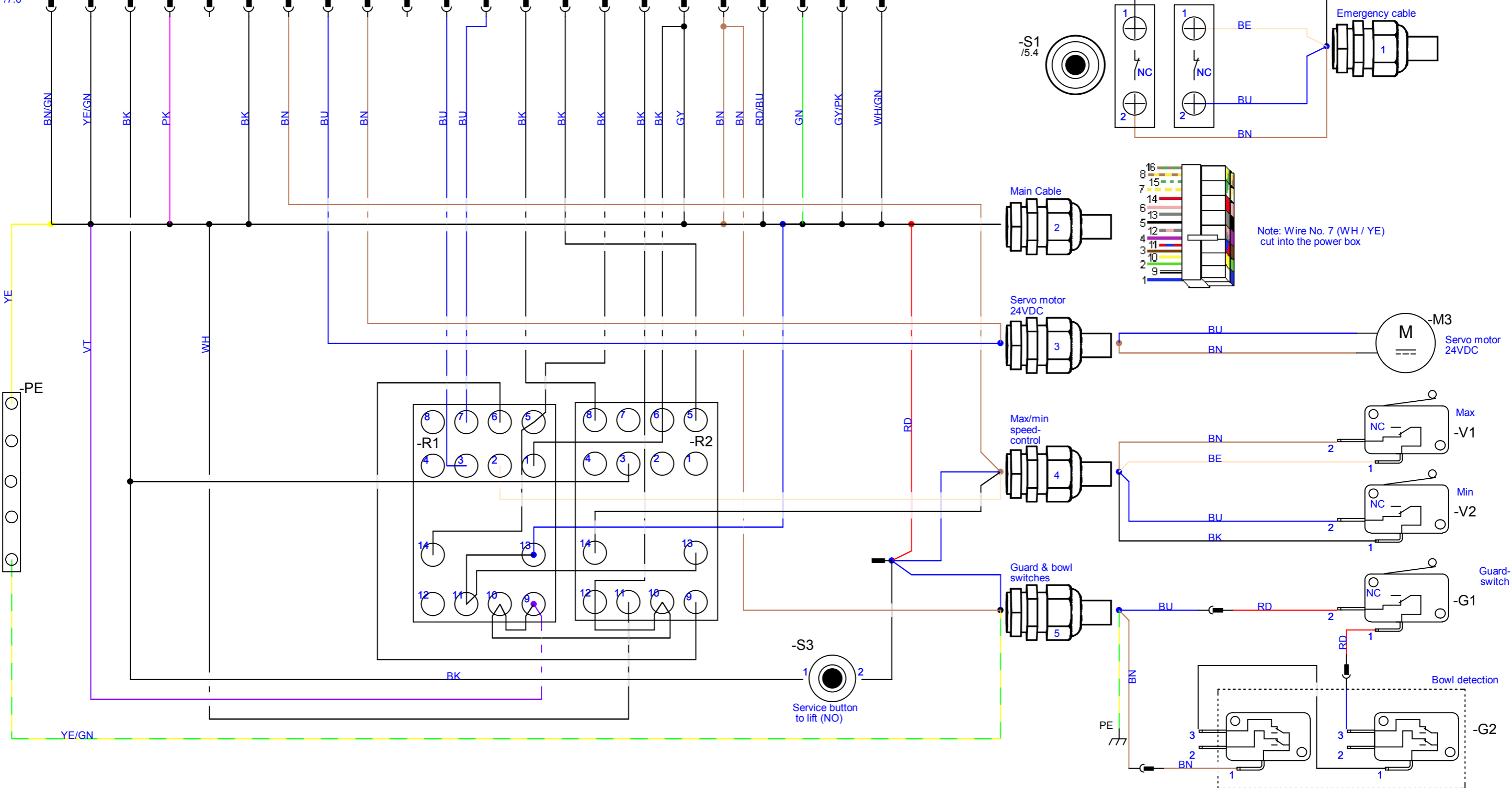
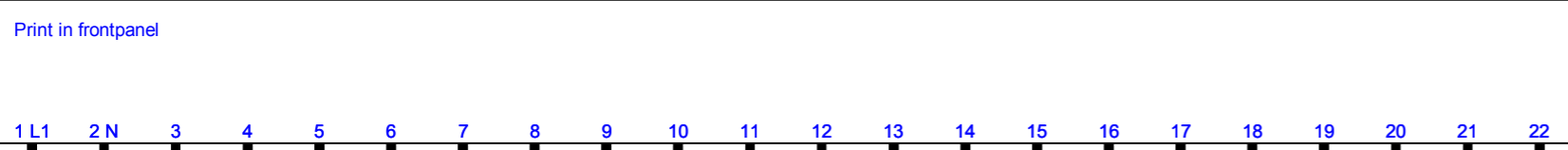
<b>Project title:</b> VL-1S	<b>Case no.:</b>	<b>Project rev.:</b>	<b>Page</b> 13
Customer:	DCC:		Scale: 1:1
Page title: Comments (log)	Dwg. no.:	Page rev.:	Previous page: 12
File name: 31.040-11.02.01_external_use	Eng. (proj/page): CE	Last print: 20-12-2017	Next page: 14
Page ref.:	Appr. (date/init):	Last edit: 23-10-2017	Total no. of pages: 23

# Component Placement



<b>Project title:</b> VL-1S	<b>Case no.:</b>	<b>Project rev.:</b>	<b>Page</b> 14
<b>Customer:</b>	DCC: &LU		Scale: 1:1
<b>Page title:</b> component placement	Dwg. no.: 04	Page rev.:	Previous page: 13
<b>File name:</b> 31.040-11.02.01_external_use	Eng. (proj/page): CE / CE	Last print: 20-12-2017	Next page: 15
<b>Page ref.:</b>	Appr. (date/init):	Last edit: 14-12-2016	Total no. of pages: 23

-PCB1  
/5.5  
/6.7  
/7.1  
/7.4  
/7.5  
/7.7  
/7.8  
/7.6



Note: Wire No. 7 (WH / YE) cut into the power box

PCSCHMATIC Automation