

# MK-1

# 3x480VAC+PE

PCSCHEMATIC Automation



<b>Project title:</b> MK-1	<b>Case no.:</b>	<b>Project rev.:</b>	<b>Page</b> 1
<b>Customer:</b>	<b>DCC:</b>		<b>Scale:</b> 1:1
<b>Page title:</b> Front page	<b>Dwg. no.:</b>	<b>Page rev.:</b>	<b>Previous page:</b>
<b>File name:</b> 32.060-01.03.04_external_use	<b>Eng. (proj/page):</b> CE / CE	<b>Last print:</b> 29-12-2017	<b>Next page:</b> 2
<b>Page ref.:</b>	<b>Appr. (date/init):</b>	<b>Last edit:</b> 02-08-2017	<b>Total no. of pages:</b> 13





**Documentation Info**

This electrical documentation is suitable for MK-1

- 3P
- ENG-version
- UL approved
- 480 VAC

**Comments**

There will be more variants of charts like this:

- With and without Transformers
- UL or CE Approvals

Furthermore, it should be noted that there will be some old versions that will be phase objections.

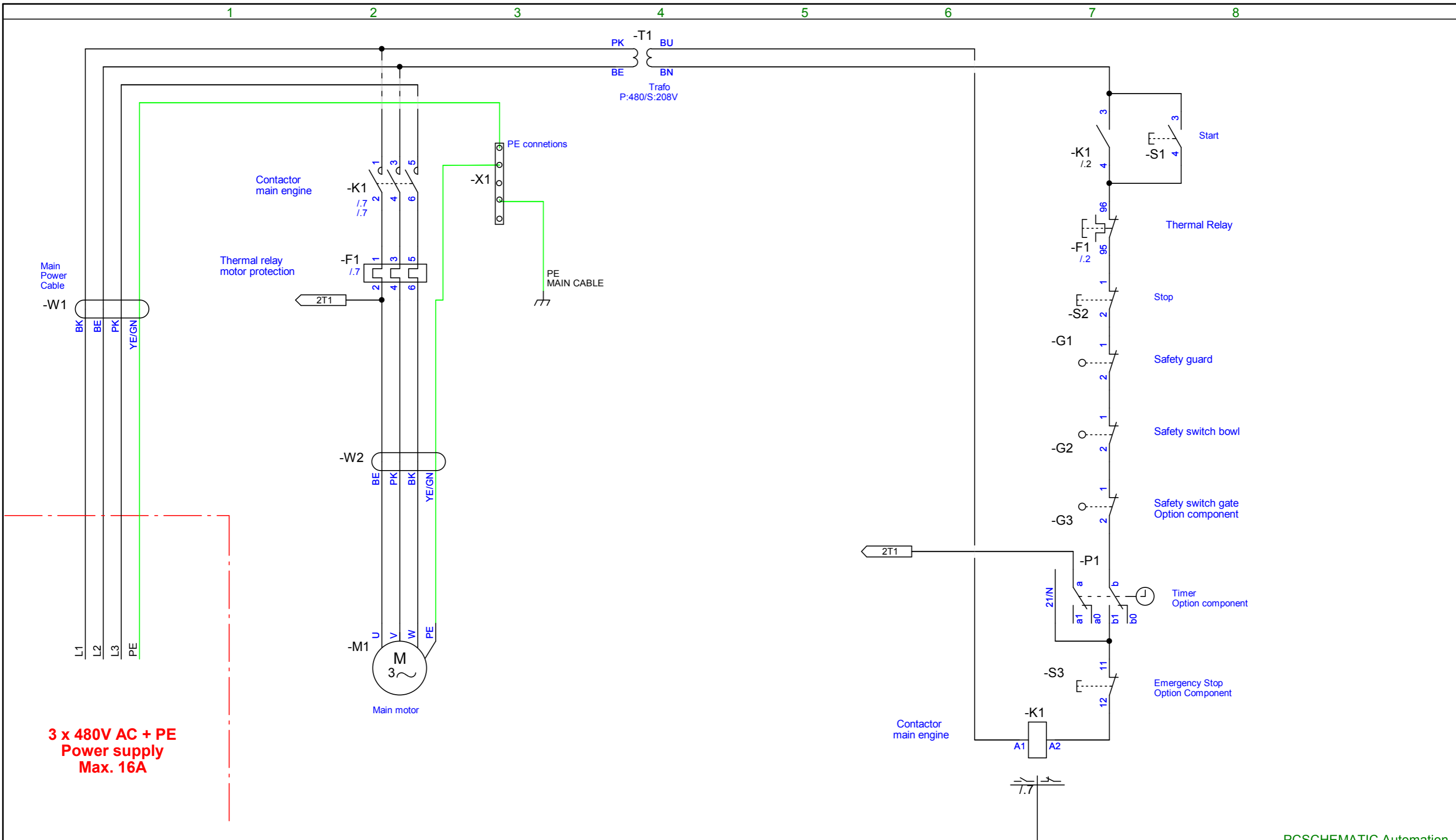
**Voltage variations**

- 1F + N, 115V
- 1F + N
- 3F, 200V - 240V
- 3F, 380V - 480V

**Revision descriptions**

<b>Project title:</b> MK-1	<b>Case no.:</b>	<b>Project rev.:</b>	<b>Page</b> 4
Customer:	DCC: %DB		Scale: 1:1
Page title: Dokumentations infomation	Dwg. no.:	Page rev.:	Previous page: 3
File name: 32.060-01.03.04_external_use	Eng. (proj/page): CE	Last print: 29-12-2017	Next page: 5
Page ref.:	Appr. (date/init):	Last edit: 01-11-2017	Total no. of pages: 13

# Diagram



# Lists



Component	Article	Type	Description	Position
-F1	R20-88.12	Thermal relay, motor protection		/5.2
-G1	-	Safety switch		/5.7
-G2	-	Safety switch		/5.7
-G3	-	Safety switch		/5.7
-K1	R20-88.47	Contact		/5.7
-K1	R100-88.8	Contact	main engine	/5.2
-M1	R100-85.1	Main motor		/5.2
-P1	W30-188.26	Timer		/5.8
-S1		Trykknop		/5.8
-S2	AR31-174.3	Trykknop, Rød		/5.7
-S3	AR31-174.5	Emergency Stop		/5.7
-T1	AR10E-430	Trafo P:480/S:208V		/5.4
-W1	WR41-194.151M	Main power cable, 1P, 3-core		/5.1
-W2	WR41-194.251M	Motor kabel 1F, 3-leder		/5.2
-X1	AR31-458	PE connections		/5.3



<b>Project title:</b> MK-1	<b>Case no.:</b>	<b>Project rev.:</b>	<b>Page</b> 7
<b>Customer:</b>	DCC: &PD		<b>Scale:</b> 1:1
<b>Page title:</b> Component list	<b>Dwg. no.:</b>	<b>Page rev.:</b>	<b>Previous page:</b> 6
<b>File name:</b> 32.060-01.03.04_external_use	<b>Eng. (proj/page):</b> CE / CE	<b>Last print:</b> 29-12-2017	<b>Next page:</b> 8
<b>Page ref.:</b>	<b>Appr. (date/init):</b>	<b>Last edit:</b> 01-11-2017	<b>Total no. of pages:</b> 13

From		Cable		To			Type
-T1	BE	/5.4	-W1	BE			Main power cable, 1P, 3-core
-T1	PK	/5.4	-W1	BK			Main power cable, 1P, 3-core
			-W1	PK			Main power cable, 1P, 3-core
-X1		/5.3	-W1	YE/GN			Main power cable, 1P, 3-core
-F1	2	/5.2	-W2	BE	-M1	U /5.2	Motor kabel 1F, 3-leder
-F1	6	/5.2	-W2	BK	-M1	W /5.2	Motor kabel 1F, 3-leder
-F1	4	/5.2	-W2	PK	-M1	V /5.2	Motor kabel 1F, 3-leder
-X1		/5.3	-W2	YE/GN	-M1	PE /5.2	Motor kabel 1F, 3-leder



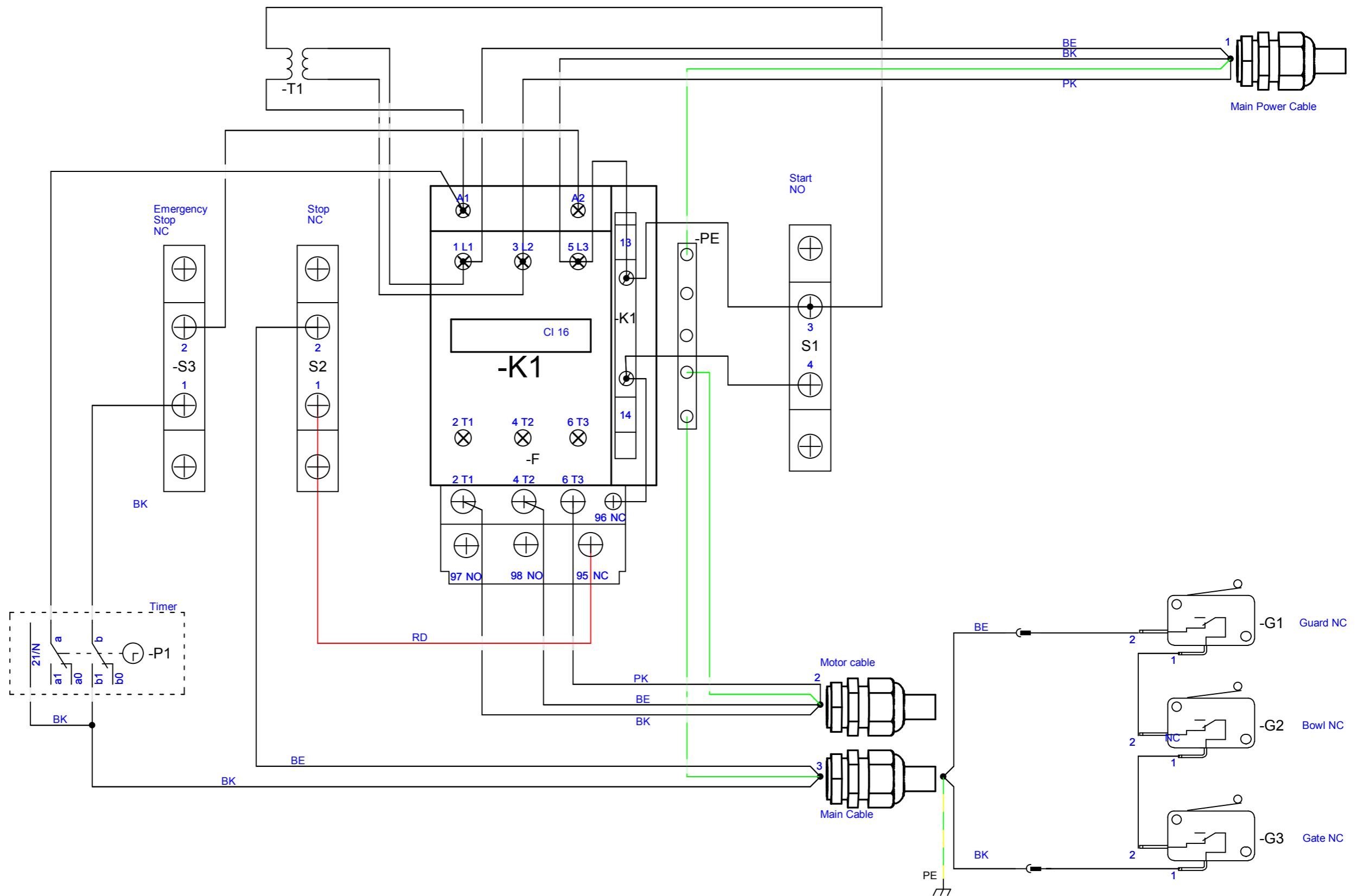
<b>Project title:</b> MK-1	<b>Case no.:</b>	<b>Project rev.:</b>	<b>Page</b> 8
Customer:	DCC: &MA		Scale: 1:1
Page title: Cable list	Dwg. no.:	Page rev.:	Previous page: 7
File name: 32.060-01.03.04_external_use	Eng. (proj/page): CE	Last print: 29-12-2017	Next page: 9
Page ref.:	Appr. (date/init):	Last edit: 02-08-2017	Total no. of pages: 13

Page no.	Title	Page remarks	Revision	Last edit
1	Front page			02-08-2017
2	Index			01-11-2017
3	Indholdsfortegnelse			29-12-2017
4	Dokumentations information			01-11-2017
	Diagram			
5	Diagram			02-08-2017
	Lists			
6	Part list			01-11-2017
7	Component list			01-11-2017
8	Cable list			02-08-2017
9	Page Comments (log)			29-12-2017
	Component placering			
10	Component placement			29-12-2017

PCSCHEMATIC Automation



# Component placering



<b>Project title:</b> MK-1	<b>Case no.:</b>	<b>Project rev.:</b>	<b>Page</b> 10
<b>Customer:</b>	DCC: &FS		<b>Scale:</b> 1:1
<b>Page title:</b> Component placement	Dwg. no.: 02	<b>Page rev.:</b>	<b>Previous page:</b> 9
<b>File name:</b> 32.060-01.03.04_external_use	Eng. (proj/page): CE / CE	<b>Last print:</b> 29-12-2017	<b>Next page:</b>
<b>Page ref.:</b>	Appr. (date/init):	<b>Last edit:</b> 29-12-2017	<b>Total no. of pages:</b> 13