

ERGO 200 VL-4 200-240VAC

Side 1 - 4

Diagram

Lists		
Part list	21-12-2017 17:38:42	9
Component list	21-12-2017 17:53:16	10
Cable lists	21-12-2017 18:09:32	11
Page remarks (log)	22-12-2017 08:11:54	16
Arrangement		
Komponentplan	22-12-2017 08:11:54	18
Cable plan	22-12-2017 08:19:34	19
Print diagram		
Diagram	22-12-2017 08:27:04	20
Diagram	31-07-2017 07:29:00	21

Table of contents

Documentation Info

This electrical documentation fits ERGO 200

- ENG. version
- UL approval
- 200-240VAC

Notes

There will be several variants of charts like this:

- 1: With and without brakes
- 2: With and without transformer
- 3: UL or CE approvals

Further, it should be noted that there will be some old versions which will be phase objections along the way, this problem will this be rectified.

Revision descriptions

PCSCHEMATIC Automation

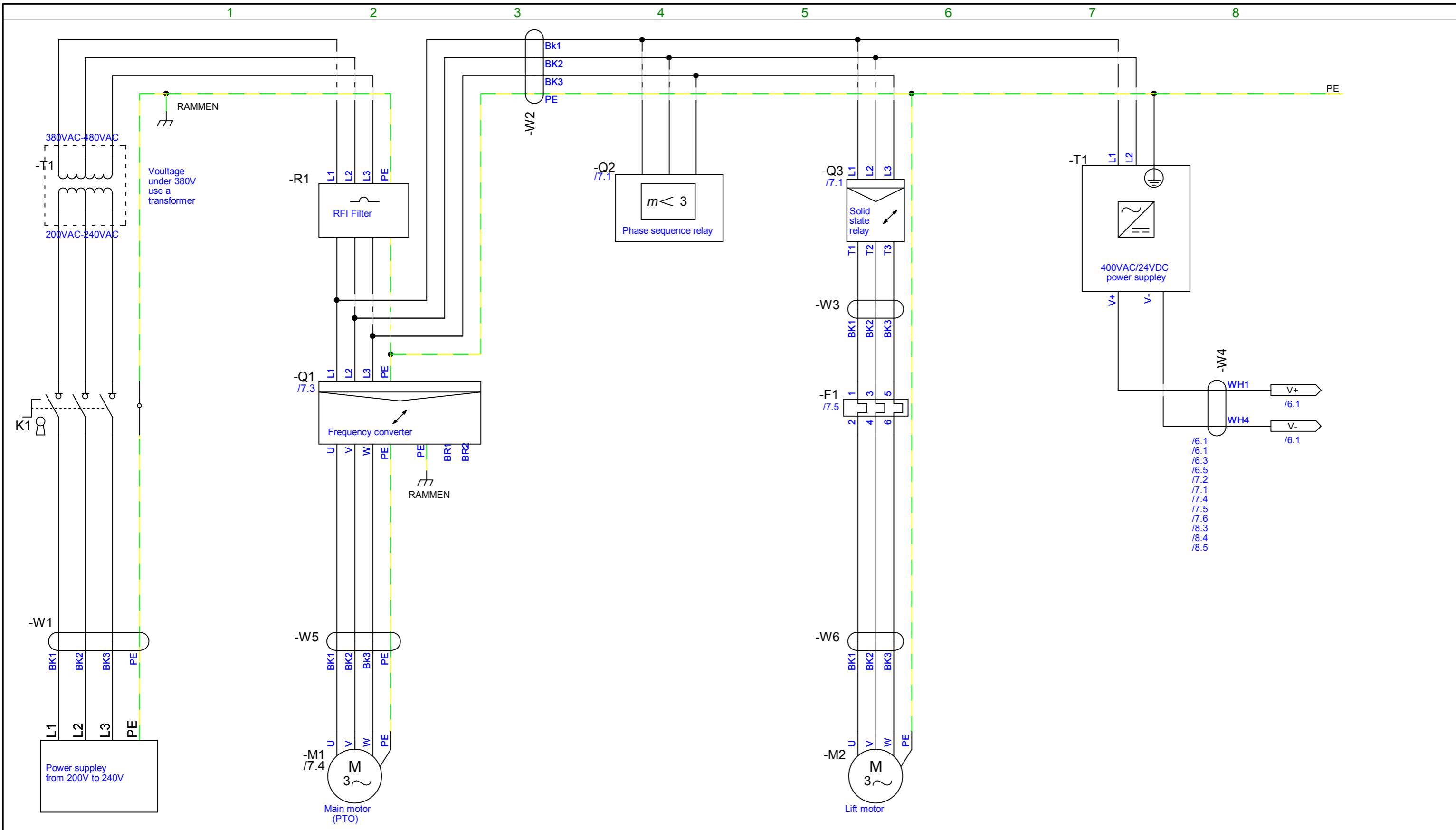
A/S WODSCHOW & Co.

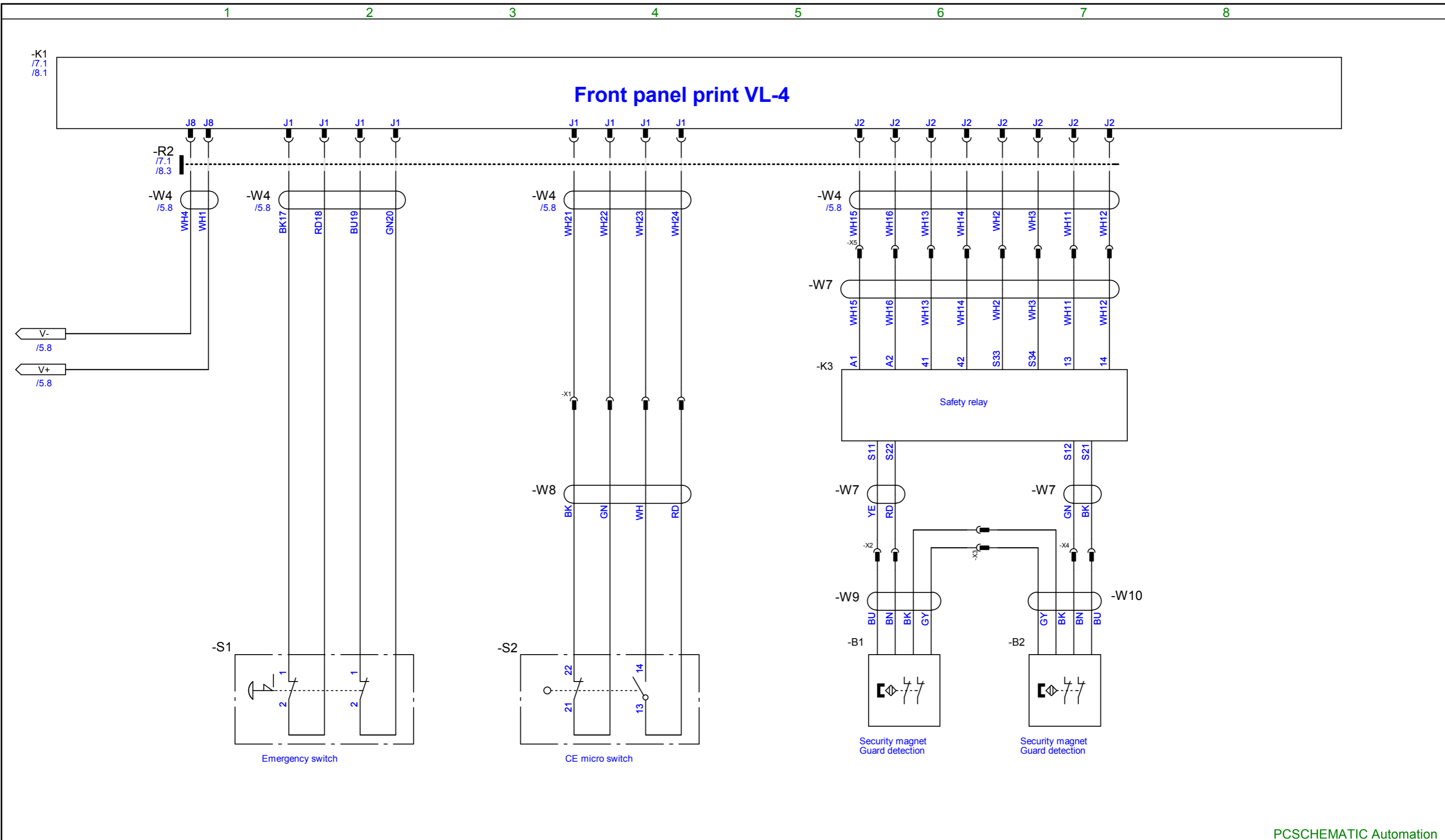
Kirkebjerg Søpark 6
DK-2605 Brøndby, Denmark
www.bearvarimixer.dk



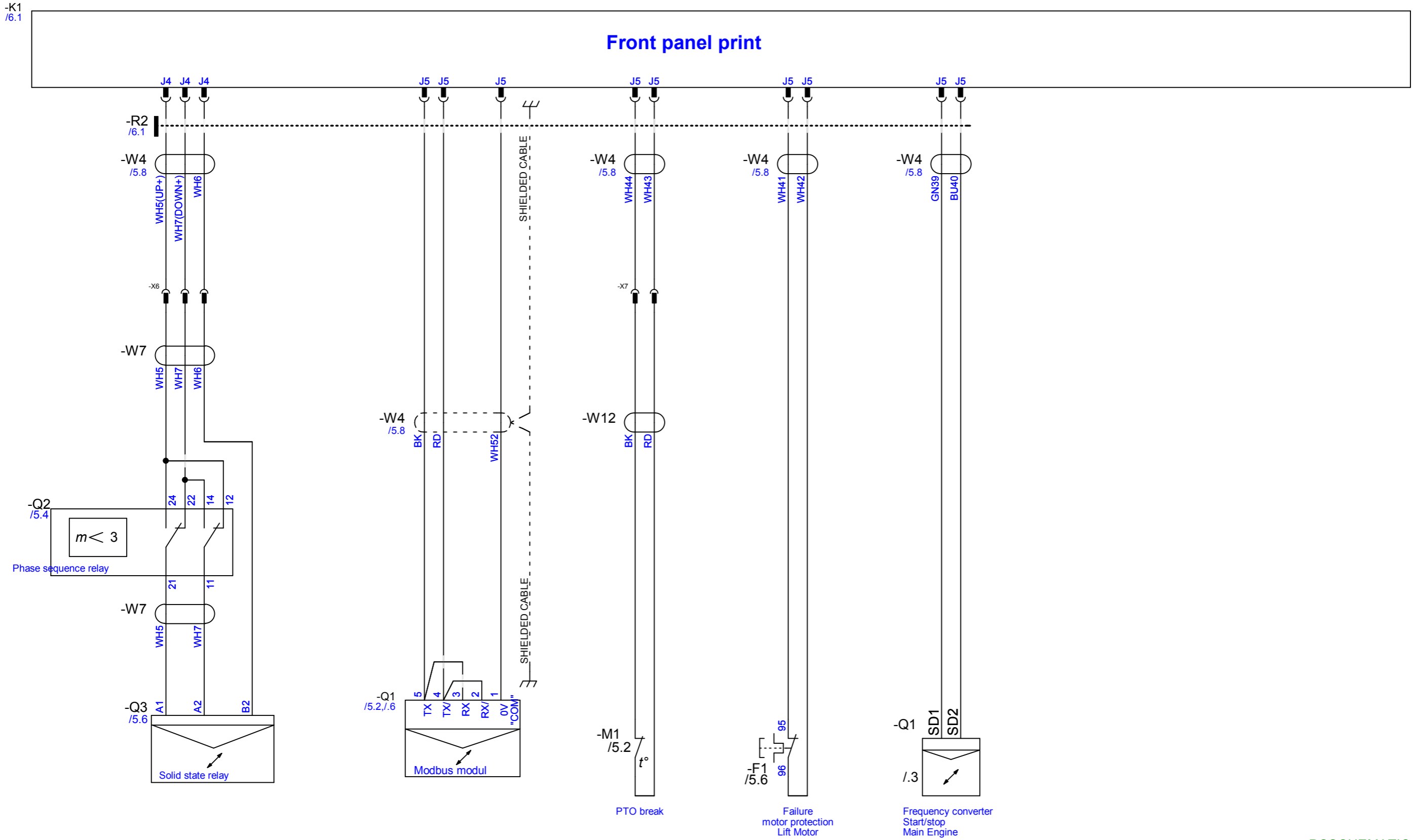
Projekttitel: ERGO 200 VL-4	Sagsnr.:	Projektrev.:	Side 4
Kunde:	DCC: &DB		Målestok: 1:1
Sidetitel: Diagram	Tegningsnr.:	Siderev.:	Forrige side: 3
Filnavn: 35.200-10.02.04_external_use	Konstr. (projekt/side): CE	Sidst udskrevet: 22-12-2017	Næste side: 5
Sideref.:	Godk. (dato/init):	Sidst rettet: 21-12-2017	Antal sider ialt: 25

Diagrams





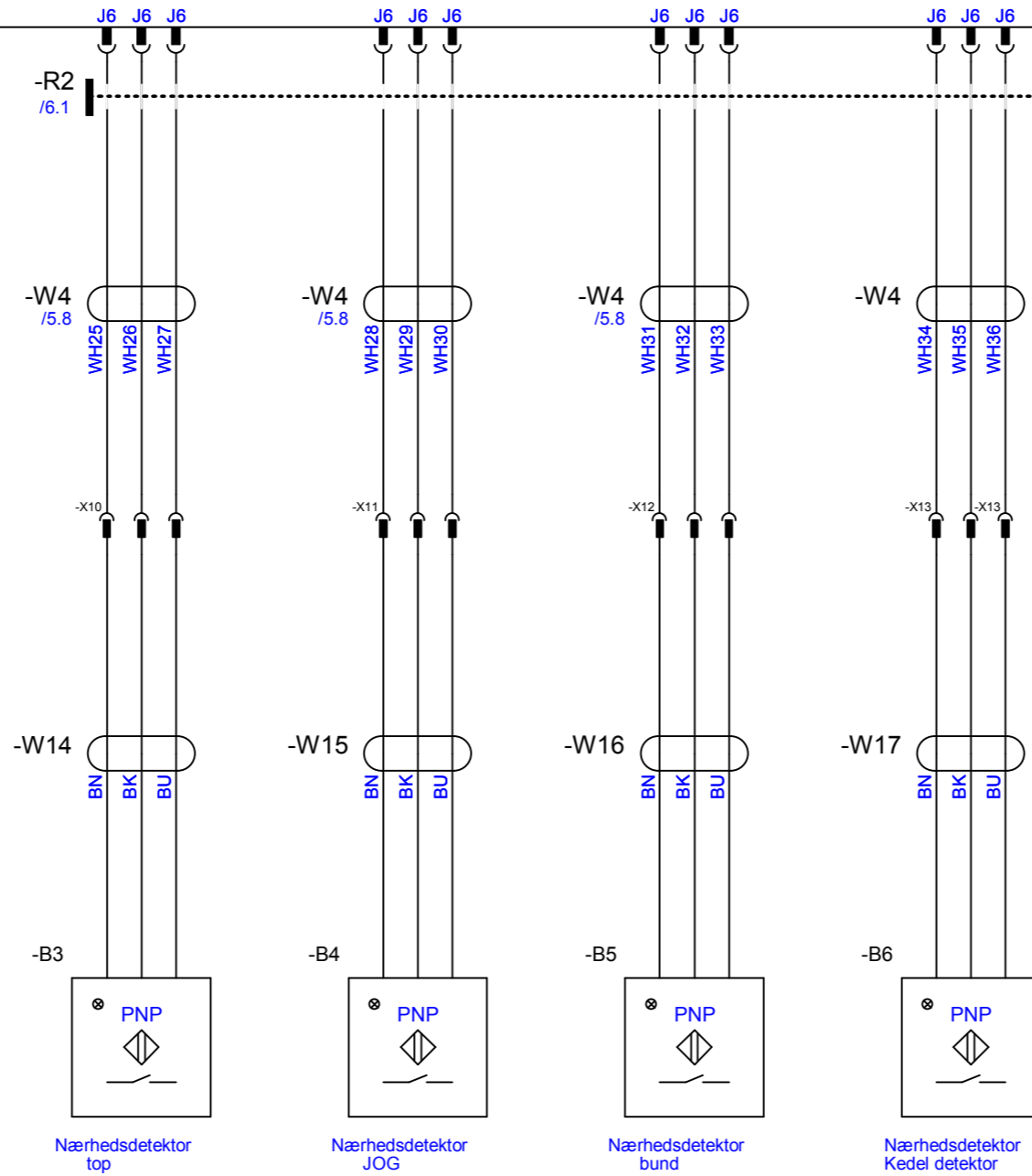
Project title: ERGO 200 VL-4	Case no.:	Project rev.:	Page 6
Customer:	DCC: &FS		Scale: 1:1
Page title: Diagram	Dwg. no.: 02	Page rev.:	Previous page: 5
File name: 35.200-10.02.04_external_use	Eng. (proj/page): CE / CE	Last print: 22-12-2017	Next page: 7
Page ref.:	Appr. (date/init):	Last edit: 21-12-2017	Total no. of pages: 25



Project title: ERGO 200 VL-4	Case no.:	Project rev.:	Page 7
Customer:	DCC: &FS		Scale: 1:1
Page title: Diagram	Dwg. no.: 03	Page rev.:	Previous page: 6
File name: 35.200-10.02.04_external_use	Eng. (proj/page): CE / CE	Last print: 22-12-2017	Next page: 8
Page ref.:	Appr. (date/init):	Last edit: 21-12-2017	Total no. of pages: 25

-K1
/6.1
/7.1

Front panel print



Project title: ERGO 200 VL-4	Case no.:	Project rev.:	Page 8
Customer:	DCC: &FS		Scale: 1:1
Page title: Diagram	Dwg. no.: 04	Page rev.:	Previous page: 7
File name: 35.200-10.02.04_external_use	Eng. (proj/page): CE / CE	Last print: 22-12-2017	Next page: 9
Page ref.:	Appr. (date/init):	Last edit: 21-12-2017	Total no. of pages: 25

Lists

Component	Article	Type	Description	Position
-B1	AE140-512	Safety magnetic senso		/6.6
-B2	AE140-512	Safety magnetic senso MAM-1822-6		/6.7
-B3	AE140-86.1M	Magnet induktiv sensor		/8.3
-B4	AE140-86.1M	Magnet induktiv sensor		/8.4
-B5	AE140-86.1M	Magnet induktiv sensor		/8.5
-B6	AE140-86.1M	Magnet induktiv sensor		/8.6
-F1	AE140-420.4	Safety relay		/5.6
-K1	AE140-561	Print for VL-4 panel		/6.1
-K3	AE140-420	Safety relay		/6.5
-M1	AE140-85	Main motor incl. PTO		/5.2
-M2	WE140-86M	Lift motor incl. actuator		/5.6
-Q1	AE140-601	Frequency converter		/5.2
-Q2	CE61-420.4	Phase sequence relay		/5.4
-Q3	AE140-420.3	Solid state relay		/5.6
-R1	AE140-601.1	RFI Filter		/5.2
-R2	AE140-601.8	Permanent magnet		/6.1
-S1	CE61-174	Emergency switch in panel		/6.2
-S2	CE61-173.1M	Micro switch CE		/6.3
-T1	AE140-430	3P, transformer 400/230 10 KVA CE		/5.1
-T1	CE61-414	400VAV/24VDC		/5.7
-W1	WE140-194.14M	Power Cable		/5.1
-W4	WE140-542.5	24VDC hovedkredskabel		/5.8
-W7	WE140-194.11M	Cable for controlbox, AWG20		/6.5

PCSCHEMATIC Automation

A/S WODSCHOW & Co.

Kirkebjerg Søpark 6
DK-2605 Brøndby, Denmark
www.bearvarimixer.dk



Project title: ERGO 200 VL-4	Case no.:	Project rev.:	Page 10
Customer:	DCC: &PD		Scale: 1:1
Page title: Component list	Dwg. no.:	Page rev.:	Previous page: 9
File name: 35.200-10.02.04_external_use	Eng. (proj/page): CE / CE	Last print: 22-12-2017	Next page: 11
Page ref.:	Appr. (date/init):	Last edit: 21-12-2017	Total no. of pages: 25

From		Cable	To		Type
L1	/5.1	-W1 BK1	K1 2	/5.1	Power Cable
L2	/5.1	-W1 BK2	K1 4	/5.1	Power Cable
L3	/5.1	-W1 BK3	K1 6	/5.1	Power Cable
PE	/5.1	-W1 PE	K1 8	/5.1	Power Cable
-Q1 L2	/5.2	-W2 BK2	-Q3 L2	/5.6	Cable drive to electrical box
-Q1 L3	/5.2	-W2 BK3	-Q3 L3	/5.6	Cable drive to electrical box
-Q1 L1	/5.2	-W2 Bk1	-Q2 A2	/5.4	Cable drive to electrical box
-R1 8	/5.2	-W2 PE	-M2 PE	/5.6	Cable drive to electrical box
-Q3 T1	/5.5	-W3 BK1	-F1 1	/5.5	Wire
-Q3 T2	/5.6	-W3 BK2	-F1 3	/5.6	Wire
-Q3 T3	/5.6	-W3 BK3	-F1 5	/5.6	Wire
-K1 4	/7.3	-W4 BK	-Q1 5	/7.3	Afskærmet kabel
-K1 5	/7.3	-W4 RD	-Q1 4	/7.3	Afskærmet kabel
-K1 7	/7.3	-W4 WH52	-Q1 1	/7.3	Afskærmet kabel
		-W4			Afskærmet kabel
-K1 3	/6.1	-W4 BK17	-S1 1	/6.1	Mellemlider, nødstop til front panel
-K1 5	/6.2	-W4 BU19	-S1 1	/6.2	Mellemlider, nødstop til front panel
-K1 6	/6.2	-W4 GN20	-S1 2	/6.2	Mellemlider, nødstop til front panel
-K1 4	/6.2	-W4 RD18	-S1 2	/6.1	Mellemlider, nødstop til front panel
-K1 11	/7.6	-W4 BU40	-Q1 SD2	/7.6	Start/stop
-K1 10	/7.6	-W4 GN39	-Q1 SD1	/7.6	Start/stop
-T1 V+	/5.7	-W4 WH1	-K1 2	/6.1	24VDC hovedkredskabel
		-W4 WH4	-K1 1	/6.1	24VDC hovedkredskabel
-K1 15	/6.6	-W4 WH2	-X5 0	/6.6	Cable safety relay
-K1 16	/6.7	-W4 WH3	-X5 0	/6.7	Cable safety relay

PCSCHEMATIC Automation



From		Cable		To			Type	
-K1	17	/6.7	-W4	WH11	-X5	0	/6.7	Cable safety relay
-K1	18	/6.7	-W4	WH12	-X5	0	/6.7	Cable safety relay
-K1	13	/6.6	-W4	WH13	-X5	0	/6.6	Cable safety relay
-K1	14	/6.6	-W4	WH14	-X5	0	/6.6	Cable safety relay
-K1	11	/6.5	-W4	WH15	-X5	0	/6.5	Cable safety relay
-K1	12	/6.6	-W4	WH16	-X5	0	/6.6	Cable safety relay
-K1	1	/7.1	-W4	WH5(UP+)	-X6	0	/7.1	Cable for control lift
-K1	3	/7.1	-W4	WH6	-X6	0	/7.1	Cable for control lift
-K1	2	/7.1	-W4	WH7(DOWN+)	-X6	0	/7.1	Cable for control lift
-K1	7	/6.3	-W4	WH21	-X1	0	/6.3	Cable micro switch
-K1	8	/6.4	-W4	WH22	-X1	0	/6.4	Cable micro switch
-K1	9	/6.4	-W4	WH23	-X1	0	/6.4	Cable micro switch
-K1	10	/6.4	-W4	WH24	-X1	0	/6.4	Cable micro switch
-K1	10	/8.3	-W4	WH25	-X10	0	/8.3	Cable PNP top
-K1	3	/8.3	-W4	WH26	-X10	0	/8.3	Cable PNP top
-K1	2	/8.3	-W4	WH27	-X10	0	/8.3	Cable PNP top
-K1	5	/8.4	-W4	WH28	-X11	0	/8.4	Cable PNP JOG
-K1	4	/8.4	-W4	WH29	-X11	0	/8.4	Cable PNP JOG
-K1	7	/8.4	-W4	WH30	-X11	0	/8.4	Cable PNP JOG
-K1	6	/8.5	-W4	WH31	-X12	0	/8.5	Cable PNP bund
-K1	9	/8.5	-W4	WH32	-X12	0	/8.5	Cable PNP bund
-K1	8	/8.5	-W4	WH33	-X12	0	/8.5	Cable PNP bund
-K1	1	/8.6	-W4	WH34	-X13	0	/8.6	Cable PNP Bowl
-K1	12	/8.6	-W4	WH35	-X13	0	/8.6	Cable PNP Bowl
-K1	11	/8.6	-W4	WH36	-X13	0	/8.6	Cable PNP Bowl
-K1	8	/7.5	-W4	WH41	-F1	95	/7.5	cable for thermo relay
-K1	9	/7.5	-W4	WH42	-F1	96	/7.5	cable for thermo relay
-K1	7	/7.4	-W4	WH43	-X7	0	/7.4	Cabel to PTO

PCSCHEMATIC Automation



Project title: ERGO 200 VL-4	Case no.:	Project rev.:	Page 12
Customer:	DCC: &MA		Scale: 1:1
Page title: Cable lists	Dwg. no.:	Page rev.:	Previous page: 11
File name: 35.200-10.02.04_external_use	Eng. (proj/page): CE / CE	Last print: 22-12-2017	Next page: 13
Page ref.:	Appr. (date/init):	Last edit: 21-12-2017	Total no. of pages: 25

From			Cable		To			Type
-K1	6	/7.4	-W4	WH44	-X7	0	/7.4	Cabel to PTO
-Q1	U	/5.2	-W5	BK1	-M1	U	/5.2	Cable for main motor
-Q1	V	/5.2	-W5	BK2	-M1	V	/5.2	Cable for main motor
-Q1	W	/5.2	-W5	Bk3	-M1	W	/5.2	Cable for main motor
-Q1	PE	/5.2	-W5	PE	-M1	PE	/5.2	Cable for main motor
-F1	2	/5.5	-W6	BK1	-M2	U	/5.5	Cable for lift motor
-F1	4	/5.6	-W6	BK2	-M2	V	/5.6	Cable for lift motor
-F1	6	/5.6	-W6	BK3	-M2	W	/5.6	Cable for lift motor
-K3	S21	/6.7	-W7	BK	-X4	0	/6.7	Mellemleder
-K3	S12	/6.7	-W7	GN	-X4	0	/6.7	Mellemleder
-K3	S22	/6.6	-W7	RD	-X2	0	/6.6	Mellemleder
-K3	S11	/6.6	-W7	YE	-X2	0	/6.6	Mellemleder
-X5	0	/6.6	-W7	WH2	-K3	S33	/6.6	Cable for controlbox, AWG20
-X5	0	/6.7	-W7	WH3	-K3	S34	/6.7	Cable for controlbox, AWG20
-X5	0	/6.7	-W7	WH11	-K3	13	/6.7	Cable for controlbox, AWG20
-X5	0	/6.7	-W7	WH12	-K3	14	/6.7	Cable for controlbox, AWG20
-X5	0	/6.6	-W7	WH13	-K3	41	/6.6	Cable for controlbox, AWG20
-X5	0	/6.6	-W7	WH14	-K3	42	/6.6	Cable for controlbox, AWG20
-X5	0	/6.5	-W7	WH15	-K3	A1	/6.5	Cable for controlbox, AWG20
-X5	0	/6.6	-W7	WH16	-K3	A2	/6.6	Cable for controlbox, AWG20
-Q2	21	/7.1	-W7	WH5	-Q3	A1	/7.1	Mellemleder
-Q2	11	/7.1	-W7	WH7	-Q3	A2	/7.1	Mellemleder
-X6	0	/7.1	-W7	WH5	-Q2	12	/7.1	Mellemleder
-X6	0	/7.1	-W7	WH6	-Q3	B2	/7.1	Mellemleder
-X6	0	/7.1	-W7	WH7	-Q2	14	/7.1	Mellemleder

PCSCHEMATIC Automation



From		Cable	To		Type
-X1	0	/6.3	-W8	BK	-S2 22 /6.3 Kabel micro switch
-X1	0	/6.4	-W8	GN	-S2 21 /6.3 Kabel micro switch
-X1	0	/6.4	-W8	RD	-S2 13 /6.4 Kabel micro switch
-X1	0	/6.4	-W8	WH	-S2 14 /6.4 Kabel micro switch
-X3	0	/6.6	-W9	BK	-B1 3 /6.6 Kabel til kedel detektion
-X2	0	/6.6	-W9	BN	-B1 2 /6.6 Kabel til kedel detektion
-X2	0	/6.6	-W9	BU	-B1 1 /6.6 Kabel til kedel detektion
-X3	0	/6.6	-W9	GY	-B1 4 /6.6 Kabel til kedel detektion
-X3	0	/6.6	-W10	BK	-B2 1 /6.7 Kabel til kedel detektion
-X4	0	/6.7	-W10	BN	-B2 4 /6.7 Kabel til kedel detektion
-X4	0	/6.7	-W10	BU	-B2 3 /6.7 Kabel til kedel detektion
-X3	0	/6.6	-W10	GY	-B2 2 /6.7 Kabel til kedel detektion
-X7	0	/7.4	-W12	BK	-M1 1 /7.4 PTO kabel
-X7	0	/7.4	-W12	RD	-M1 2 /7.4 PTO kabel
-X10	0	/8.3	-W14	BK	-B3 /8.3 PNP Sensor kabel top
-X10	0	/8.3	-W14	BN	-B3 /8.3 PNP Sensor kabel top
-X10	0	/8.3	-W14	BU	-B3 /8.3 PNP Sensor kabel top
-X11	0	/8.4	-W15	BK	-B4 /8.4 PNP Sensor kabel JOG
-X11	0	/8.4	-W15	BN	-B4 /8.4 PNP Sensor kabel JOG
-X11	0	/8.4	-W15	BU	-B4 /8.4 PNP Sensor kabel JOG
-X12	0	/8.5	-W16	BK	-B5 /8.5 PNP sensor kabel bund
-X12	0	/8.5	-W16	BN	-B5 /8.5 PNP sensor kabel bund

PCSCHEMATIC Automation



4 Diagram

Diagrams

5 Diagram

6 Diagram

7 Diagram

8 Diagram

Lists

9 Part list

10 Component list

11 Cable lists

16 Page remarks (log)

Side 9 - 17

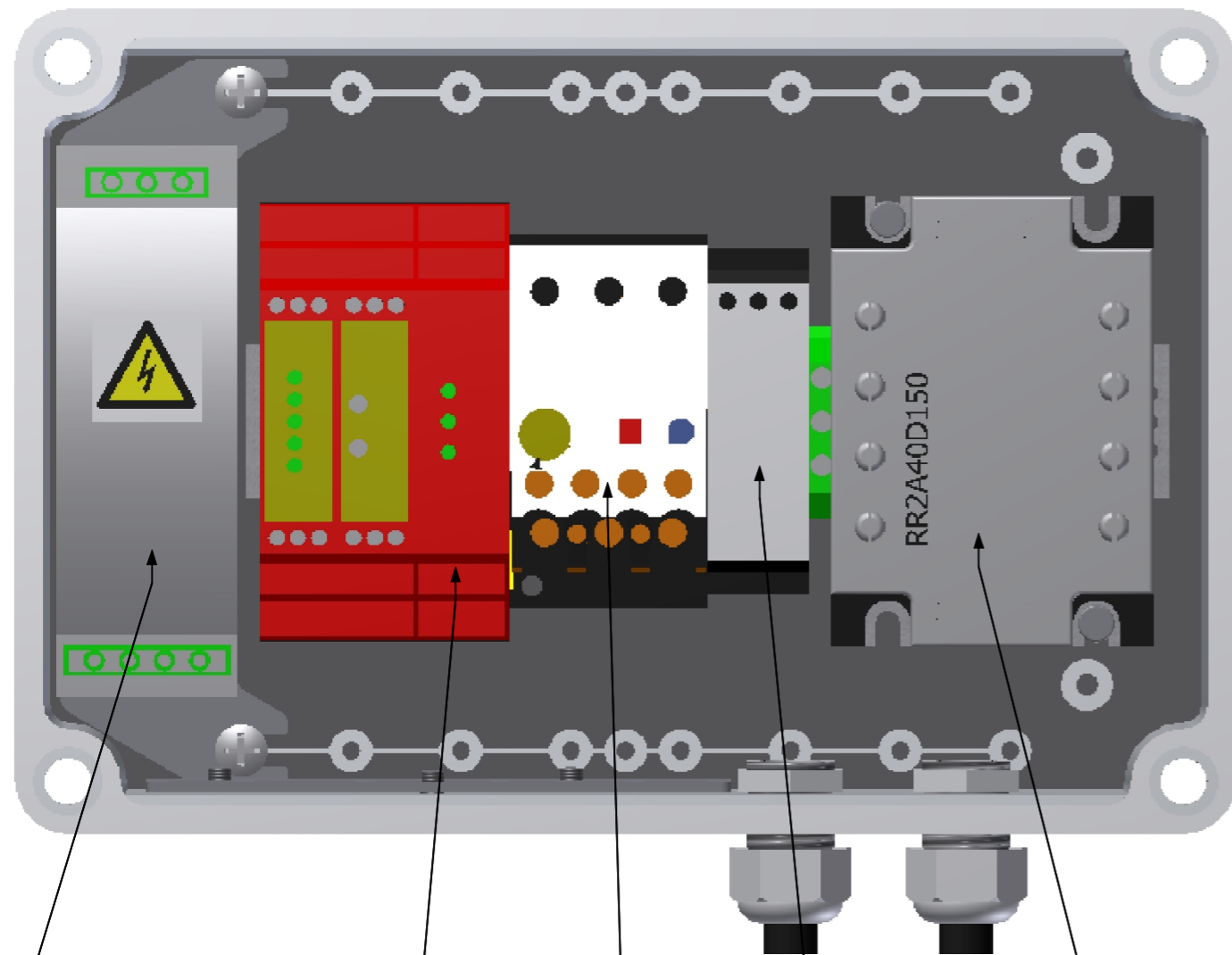
Page remarks (log)

20 Diagram

21 Diagram

Page remarks (log)

Arrangement



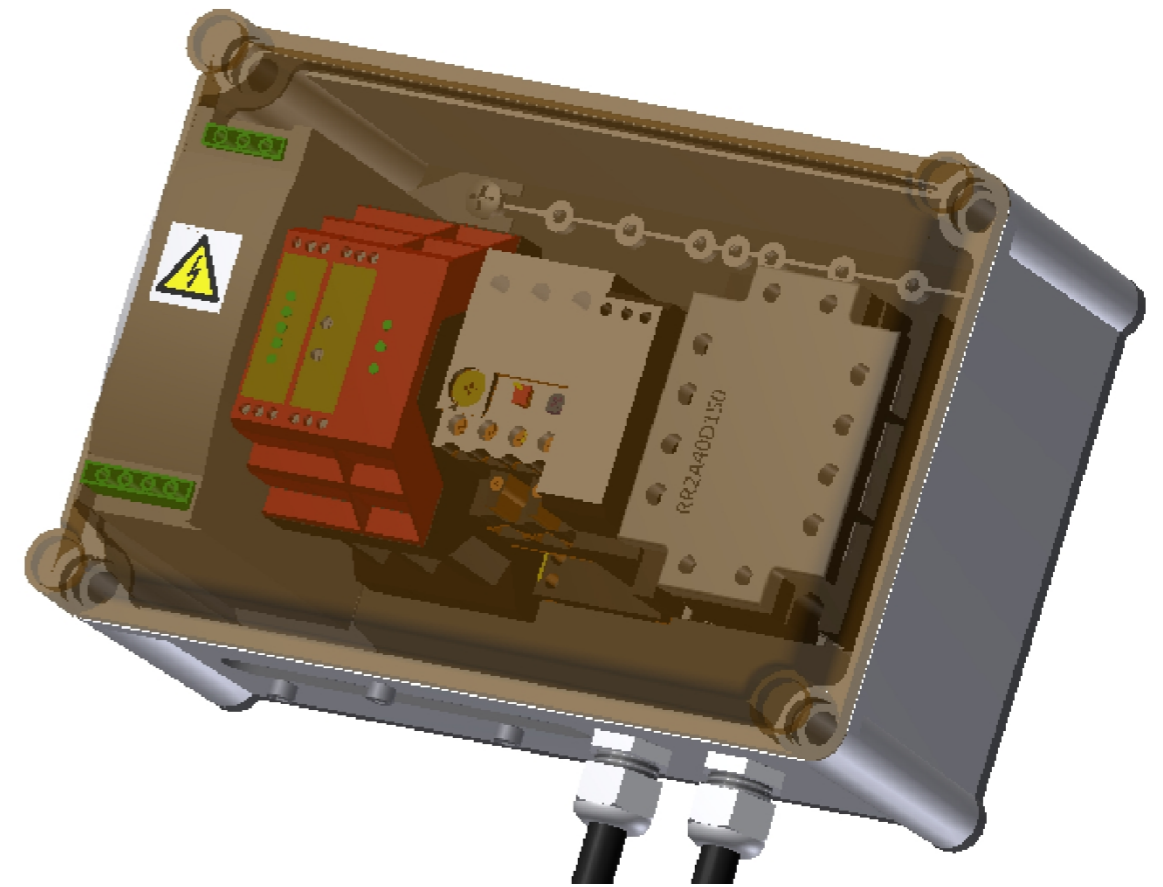
400VAC/24VDC
power supply
Item no. CE61-414

Safety relay
Item no. CE61-420

Over Current Relay
Item no. AE140-420.4

Phase sequencing relay
Item no. CE61-420.4

Solid state relay
Item no. CE140-420.3



Project title: ERGO 200 VL-4	Case no.:	Project rev.:	Page 18
Customer:	DCC: &LU		Scale: 1:1
Page title: Komponentplan	Dwg. no.: 05	Page rev.:	Previous page: 17
File name: 35.200-10.02.04_external_use	Eng. (proj/page): CE / CE	Last print: 22-12-2017	Next page: 19
Page ref.:	Appr. (date/init):	Last edit: 22-12-2017	Total no. of pages: 25

