

# Kodiak VL1C

PCSCHEMATIC Automation

**A/S WODSCHOW & Co.**  
Kirkebjerg Søpark 6  
DK-2605 Brøndby, Denmark  
[www.bearvarimixer.dk](http://www.bearvarimixer.dk)



<b>Project title:</b> Kodiak VL1C	<b>Case no.:</b>	<b>Project rev.:</b>	<b>Page</b> 1
<b>Customer:</b>	<b>DCC:</b>		<b>Scale:</b> 1:1
<b>Page title:</b> Diagram	<b>Dwg. no.:</b>	<b>Page rev.:</b>	<b>Previous page:</b>
<b>File name:</b> 37.030-13.02.01_external_use	<b>Eng. (proj/page):</b> CE	<b>Last print:</b> 20-12-2017	<b>Next page:</b> 2
<b>Page ref.:</b>	<b>Appr. (date/init):</b>	<b>Last edit:</b> 29-06-2017	<b>Total no. of pages:</b> 17

# Kodiak VL1C

Diagrams

page 5 - 5

1

Lists

page 6 - 8

2

Component placement

page 10 - 11

3

PCB Diagram

page 12 - 14

4

5

6

7

8

9

10



**Documentation Info**

Control for KODIAK 30 L VL-1S  
- CE approved

**Notes**

There is two variants for the transformer, one with 115V on the primary side and one with 208V on the primary side.  
Please note to use the right power supply for the right transformer.

**Revision descriptions**

- Rev. 01, Drawing. No. 01, page 5, boiler detection added

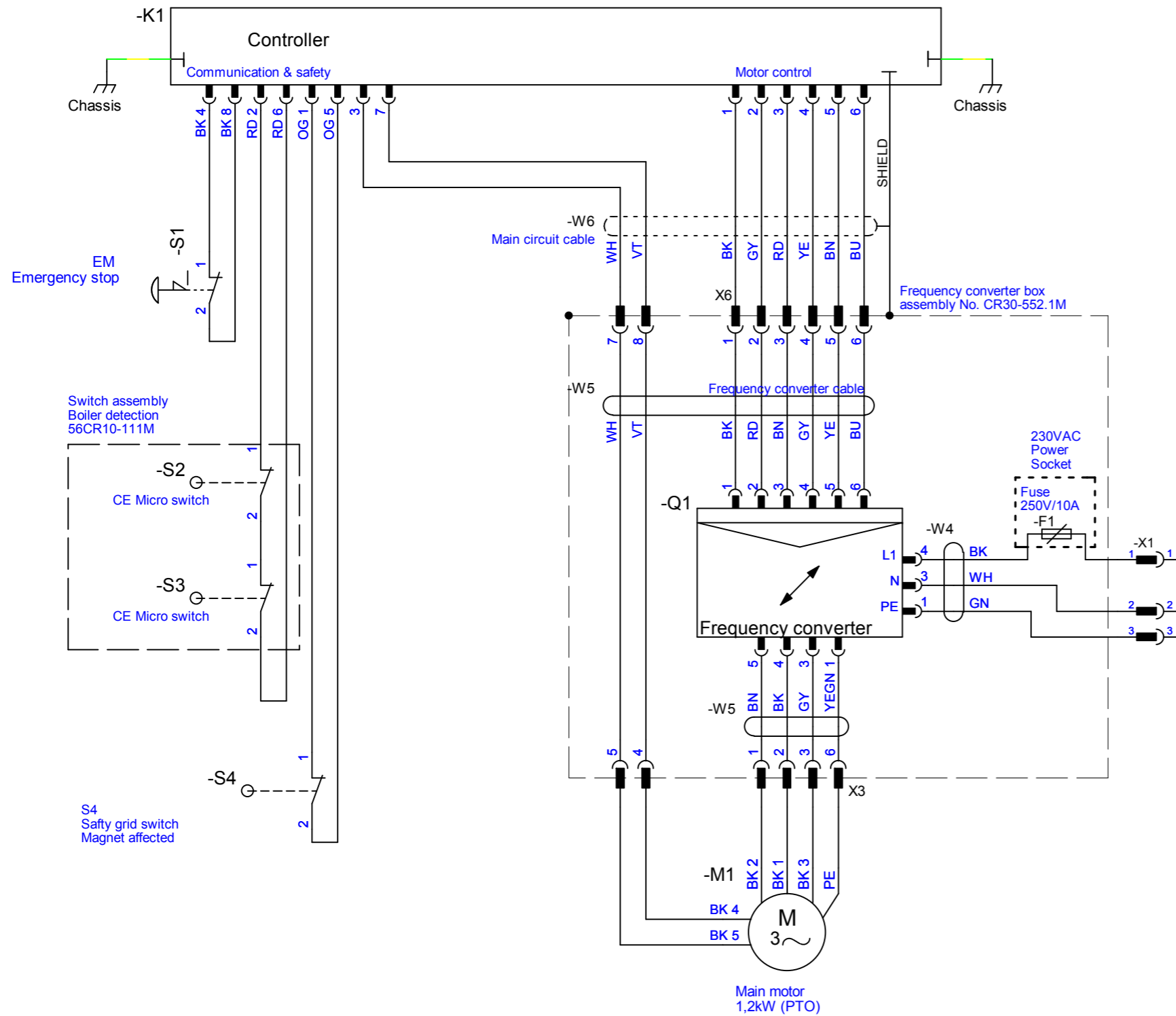


<b>Project title:</b> Kodiak VL1C	<b>Case no.:</b>	<b>Project rev.:</b>	<b>Page</b> 4
Customer:	DCC: &DB		Scale: 1:1
Page title: Diagram	Dwg. no.:	Page rev.:	Previous page: 3
File name: 37.030-13.02.01_external_use	Eng. (proj/page): CE	Last print: 20-12-2017	Next page: 5
Page ref.:	Appr. (date/init):	Last edit: 09-10-2017	Total no. of pages: 17

# Diagrams

**Wire code, IEC/EN 60757**

BK	Black
BN	Brown
BU	Blue
GN	Green
GY	Gray
OG	Orange
RD	Red
VT	Violet/purple
WH	White
YE	Yellow



<b>Project title:</b> Kodiak VL1C	<b>Case no.:</b>	<b>Project rev.:</b>	<b>Page</b> 5
<b>Customer:</b>	DCC: &FS		Scale: 1:1
<b>Page title:</b> Diagram	Dwg. no.: 01	Page rev.:	Previous page: 4
<b>File name:</b> 37.030-13.02.01_external_use	Eng. (proj/page): CE / CE	Last print: 20-12-2017	Next page: 6
<b>Page ref.:</b>	Appr. (date/init):	Last edit: 25-07-2017	Total no. of pages: 17

# Lists



Component	Article	Type	Description	Position
-F1	R20E-418.9	Fuse 250V/10A		/5.5
-K1	CR30-501.M	Controller front panel		/5.1
-M1	CR30-85.1	Main motor 1,2 kW		/5.4
-Q1	CR30-601	Frequency converter		/5.4
-S1	CR10-174.11	Emergency stop		/5.1
-S2	56CR10-31	Boiler detection		/5.1
-S3	56CR10-31	Boiler detection		/5.1
-S4	56SN20-31	SS Safty switch		/5.2
-W4	CR30-194.2M	Power cabel to frequency converter		/5.5
-W5	CR30-194.26M	Frequency converter cable AWG20		/5.3
-W6	CR30-542	Main circuit cable		/5.3

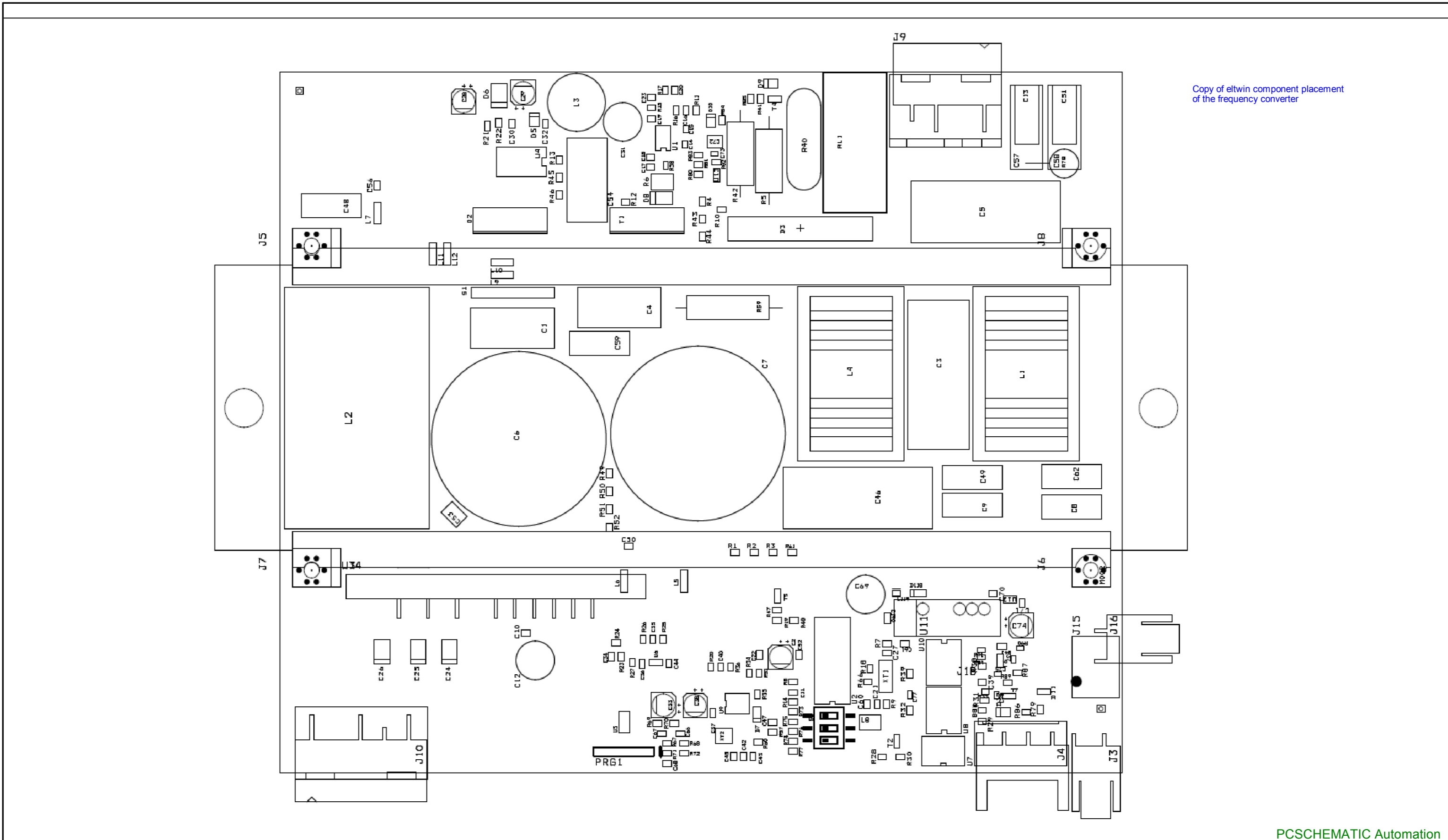


<b>Project title:</b> Kodiak VL1C	<b>Case no.:</b>	<b>Project rev.:</b>	<b>Page</b> 7
<b>Customer:</b>	DCC: &PD		<b>Scale:</b> 1:1
<b>Page title:</b> Component list	<b>Dwg. no.:</b>	<b>Page rev.:</b>	<b>Previous page:</b> 6
<b>File name:</b> 37.030-13.02.01_external_use	<b>Eng. (proj/page):</b> CE / CE	<b>Last print:</b> 20-12-2017	<b>Next page:</b> 8
<b>Page ref.:</b>	<b>Appr. (date/init):</b>	<b>Last edit:</b> 29-06-2017	<b>Total no. of pages:</b> 17

From		Cable	To		Type
-F1		/5.5	<b>-W4</b>	BK	-Q1 4 /5.5 Power cabel to frequency converter
-X5	3	/5.5	<b>-W4</b>	GN	-Q1 1 /5.5 Power cabel to frequency converter
-X5	2	/5.5	<b>-W4</b>	WH	-Q1 3 /5.5 Power cabel to frequency converter
X2	1	/5.4	<b>-W5</b>	BK	-Q1 1 /5.4 Frequency converter cable AWG20
X6	3	/5.4	<b>-W5</b>	BN	-Q1 3 /5.4 Frequency converter cable AWG20
X6	6	/5.4	<b>-W5</b>	BU	-Q1 6 /5.4 Frequency converter cable AWG20
X6	4	/5.4	<b>-W5</b>	GY	-Q1 4 /5.4 Frequency converter cable AWG20
X6	2	/5.4	<b>-W5</b>	RD	-Q1 2 /5.4 Frequency converter cable AWG20
X6	8	/5.3	<b>-W5</b>	VT	X7 4 /5.3 Frequency converter cable AWG20
X6	7	/5.3	<b>-W5</b>	WH	X7 5 /5.3 Frequency converter cable AWG20
X6	5	/5.4	<b>-W5</b>	YE	-Q1 5 /5.4 Frequency converter cable AWG20
-Q1	4	/5.4	<b>-W5</b>	BK	X7 2 /5.4 Frequency converter cable
-Q1	5	/5.4	<b>-W5</b>	BN	X7 1 /5.4 Frequency converter cable
-Q1	3	/5.4	<b>-W5</b>	GY	X7 3 /5.4 Frequency converter cable
-Q1	1	/5.4	<b>-W5</b>	YEGN	X3 6 /5.4 Frequency converter cable
-K1	1	/5.4	<b>-W6</b>	BK	X2 1 /5.4 Main circuit cable
-K1	5	/5.4	<b>-W6</b>	BN	X6 5 /5.4 Main circuit cable
-K1	6	/5.4	<b>-W6</b>	BU	X6 6 /5.4 Main circuit cable
-K1	2	/5.4	<b>-W6</b>	GY	X6 2 /5.4 Main circuit cable
-K1	3	/5.4	<b>-W6</b>	RD	X6 3 /5.4 Main circuit cable
-K1	7	/5.2	<b>-W6</b>	VT	X6 8 /5.3 Main circuit cable
-K1	3	/5.2	<b>-W6</b>	WH	X6 7 /5.3 Main circuit cable
-K1	4	/5.4	<b>-W6</b>	YE	X6 4 /5.4 Main circuit cable
			<b>-W6</b>	S	Main circuit cable



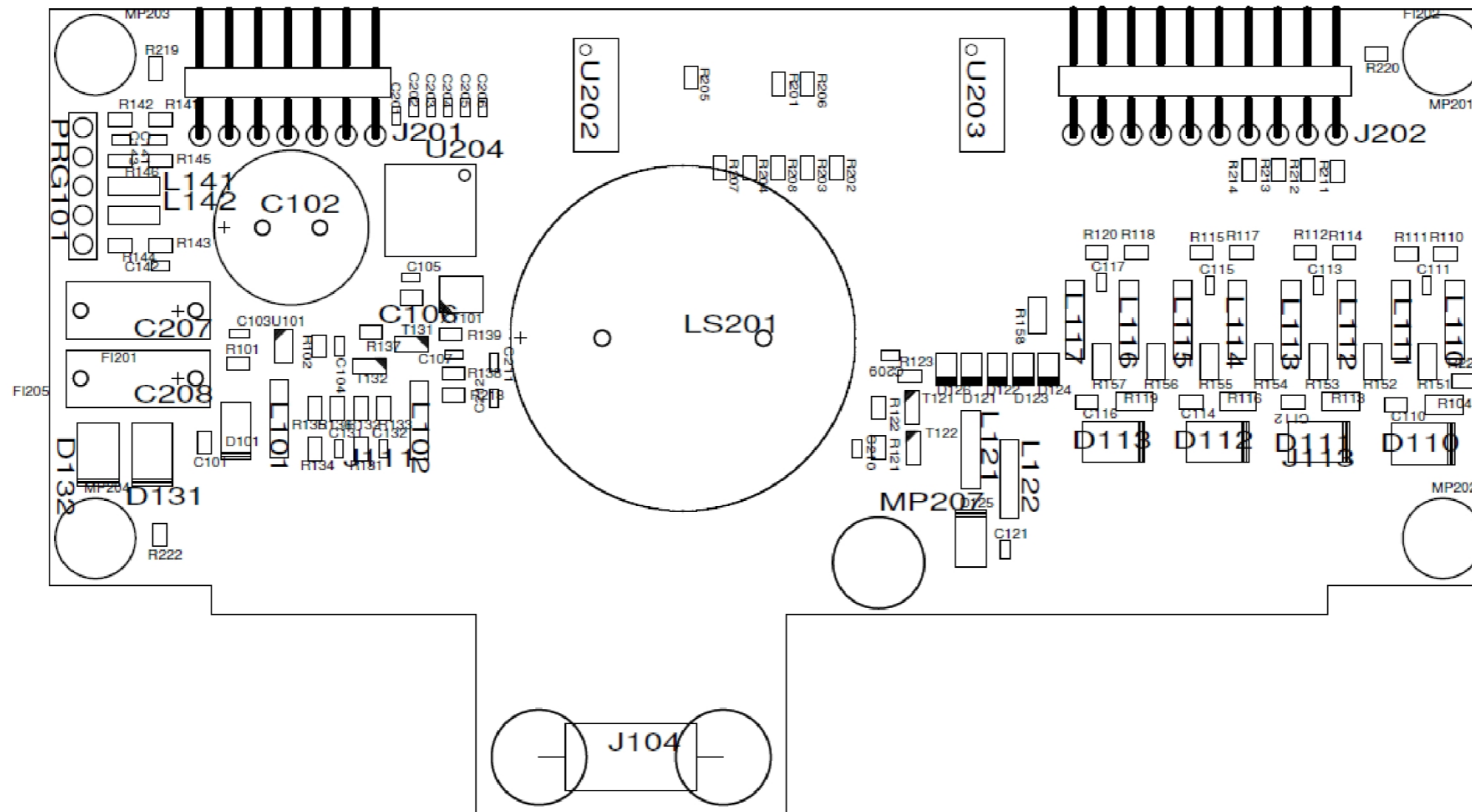
# Component placement



Copy of etwin component placement of the frequency converter



<b>Project title:</b> Kodiak VL1C	<b>Case no.:</b>	<b>Project rev.:</b>	<b>Page</b> 10
<b>Customer:</b>	DCC: &FS		<b>Scale:</b> 1:1
<b>Page title:</b> Component placement on the frequency converter print	<b>Dwg. no.:</b> 02	<b>Page rev.:</b>	<b>Previous page:</b> 8
<b>File name:</b> 37.030-13.02.01_external_use	<b>Eng. (proj/page):</b> CE / CE	<b>Last print:</b> 20-12-2017	<b>Next page:</b> 11
<b>Page ref.:</b>	<b>Appr. (date/init):</b>	<b>Last edit:</b> 09-10-2017	<b>Total no. of pages:</b> 17



Copy of eltwin component placement of the controller



<b>Project title:</b> Kodiak VL1C	<b>Case no.:</b>	<b>Project rev.:</b>	<b>Page</b> 11
<b>Customer:</b>	DCC: &FS		<b>Scale:</b> 1:1
<b>Page title:</b> Component placement on the controller print	Dwg. no.: 03	<b>Page rev.:</b>	<b>Previous page:</b> 10
<b>File name:</b> 37.030-13.02.01_external_use	Eng. (proj/page): CE / CE	<b>Last print:</b> 20-12-2017	<b>Next page:</b> 12
<b>Page ref.:</b>	Appr. (date/init):	<b>Last edit:</b> 09-10-2017	<b>Total no. of pages:</b> 17