



# RN10



## Spare Parts manual

Serial number reference:  
\_10007000-



EN

# Varimixer

Varimixer A/S  
Elementfabrikken 9  
DK-2605 Brøndby  
Denmark

P: +45 4344 2288  
E: [info@varimixer.com](mailto:info@varimixer.com)  
[www.varimixer.com](http://www.varimixer.com)

DRN:24010-100203  
02-03-2026

<b>TRANSMISSION</b>	<b><u>3</u></b>
<b>ATTACHMENT DRIVE</b>	<b><u>4</u></b>
<b>ASSEMBLED PLANETARY HEAD</b>	<b><u>5</u></b>
<b>PLANETARY HEAD</b>	<b><u>6</u></b>
<b>MACHINE HOUSING - TABLE MODEL</b>	<b><u>7</u></b>
<b>MACHINE HOUSING - FLOOR MODEL</b>	<b><u>9</u></b>
<b>LIFTING SYSTEM</b>	<b><u>11</u></b>
<b>ELECTRIC COMPONENTS</b>	<b><u>12</u></b>
<b>FRONT PANEL</b>	<b><u>13</u></b>
<b>ACCESSORIES A</b>	<b><u>14</u></b>

#### ORDERING OF SPARE PARTS:

Sale of spare parts for our mixers is attended by our spare part department. When ordering spare parts, the following information must be given:

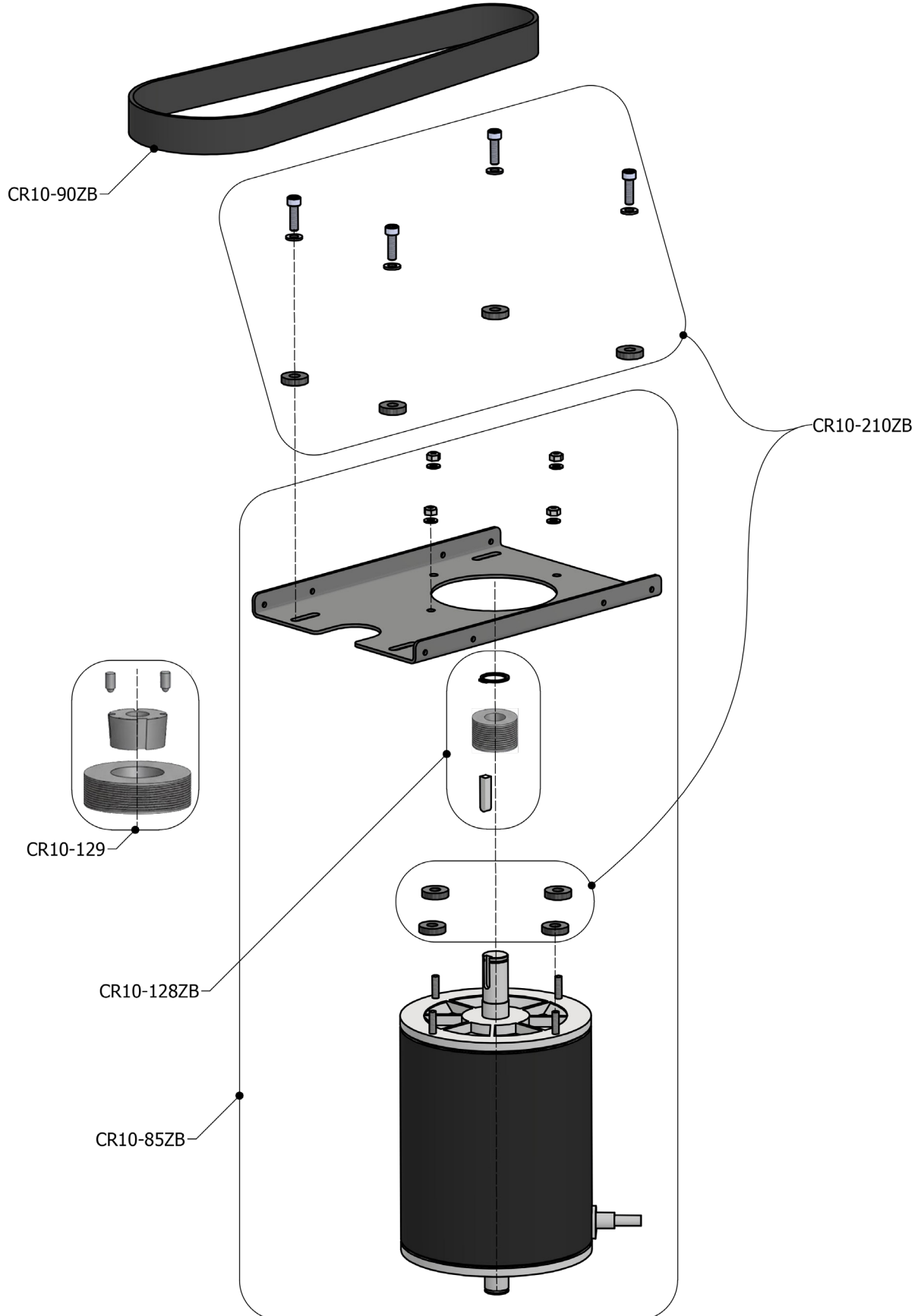
1. Type of machine
2. Number of the machine
3. Article number of the spare part in question. (Order no.)
4. Method of conveyance

If one of the above pieces of information is missing, please contact our spare part department before placing the order, as then we can assist you in finding the correct article number (order no.) of the spare part in question.

A few spare spare parts are not sold alone, in such cases reference is made at the pos.number to the assembly number to be used for ordering. The assembly numbers are shown on the relevant pages.

Returning of spare parts is only  
allowed when agreed with  
Varimixer A/S

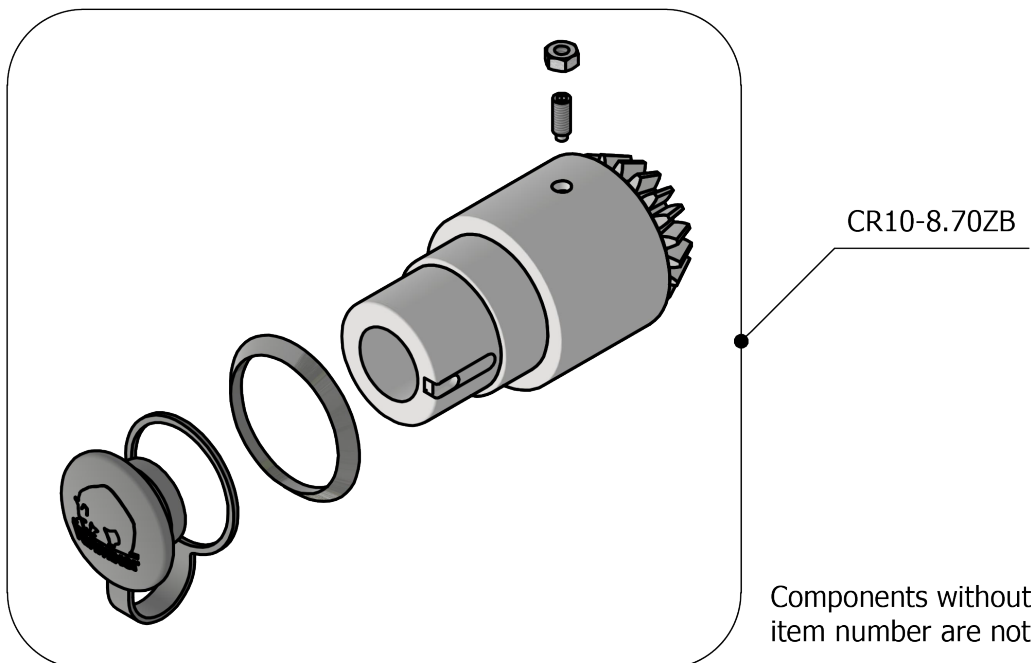
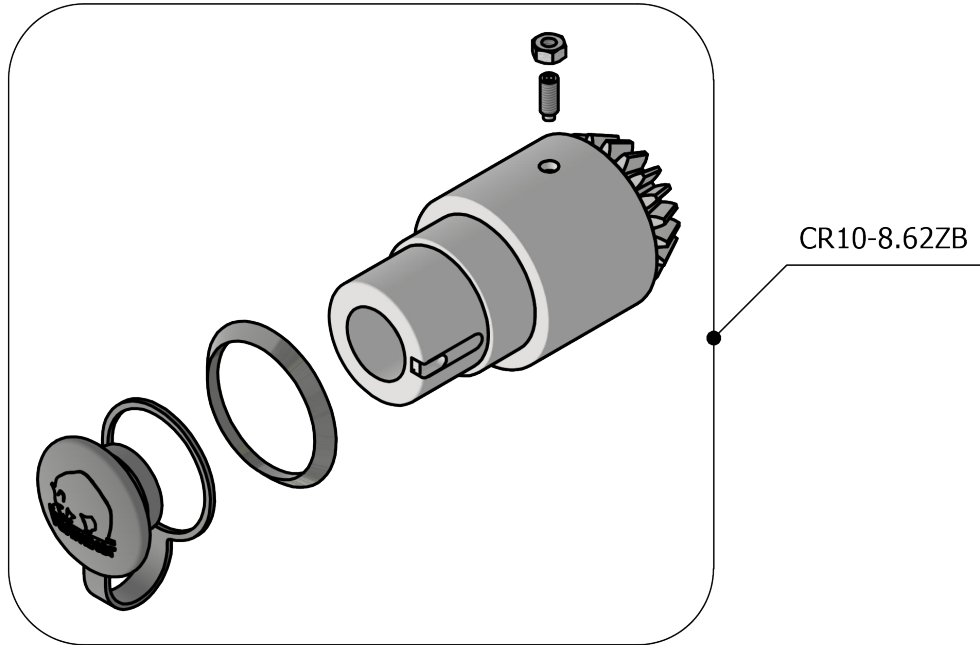
ORDER NO.	DESCRIPTION
CR10-128ZB	RN10 Small pulley
CR10-129ZB	RN10 Big pulley
CR10-210ZB	Motor rubber softner & STA
CR10-85ZB	Motor CR10 VL2 assembled
CR10-90ZB	Drive belt CR10



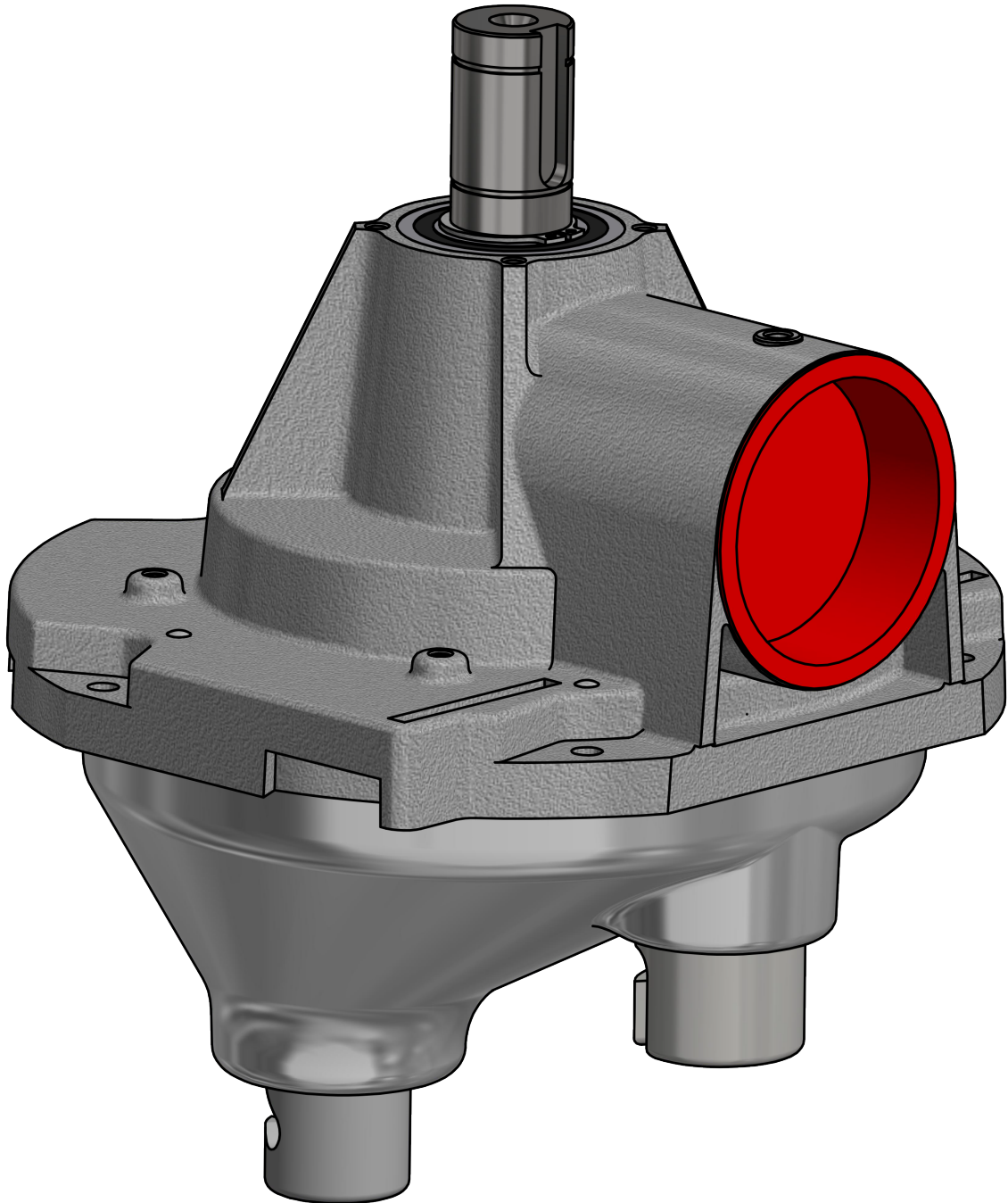
Components without an assigned item number are not sold separately.

**ATTACHMENT DRIVE**

ORDER NO.	DESCRIPTION
CR10-8.62ZB	Auxiliary drive 62 mm
CR10-8.70ZB	Auxiliary drive 70 mm



ORDER NO.	DESCRIPTION
CR10-2.3MZB	Mixer head prep. for scraper, mounted



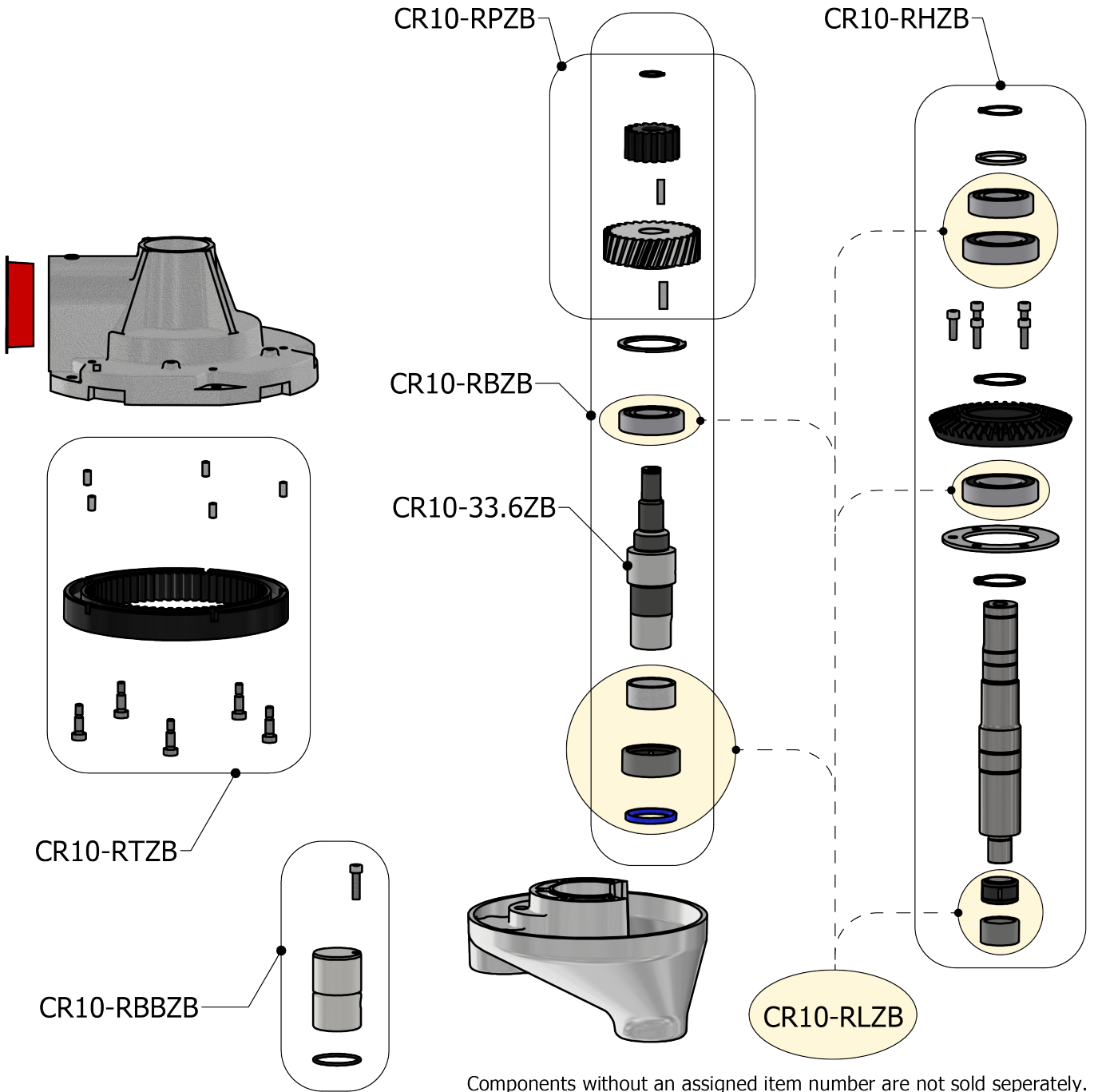
CR10-2.3MZB

[Click here](#) or scan the QR code to see an animation showing how this part is disassembled.



**PLANETARY HEAD**

ORDER NO.	DESCRIPTION
CR10-33.6ZB	Bayonet shaft CR10
CR10-3MZB	Main bearing, complete
CR10-RBBZB	Bayonet bushing set CR10
CR10-RBZB	Bayonet shaft set 10L
CR10-RHZB	Main shaft set CR10
CR10-RLZB	Bearing set for CR10 mixer head
CR10-RPZB	Planet gear set CR10
CR10-RPZB	Planet gear set CR10
CR10-RTZB	Gear ring set CR10

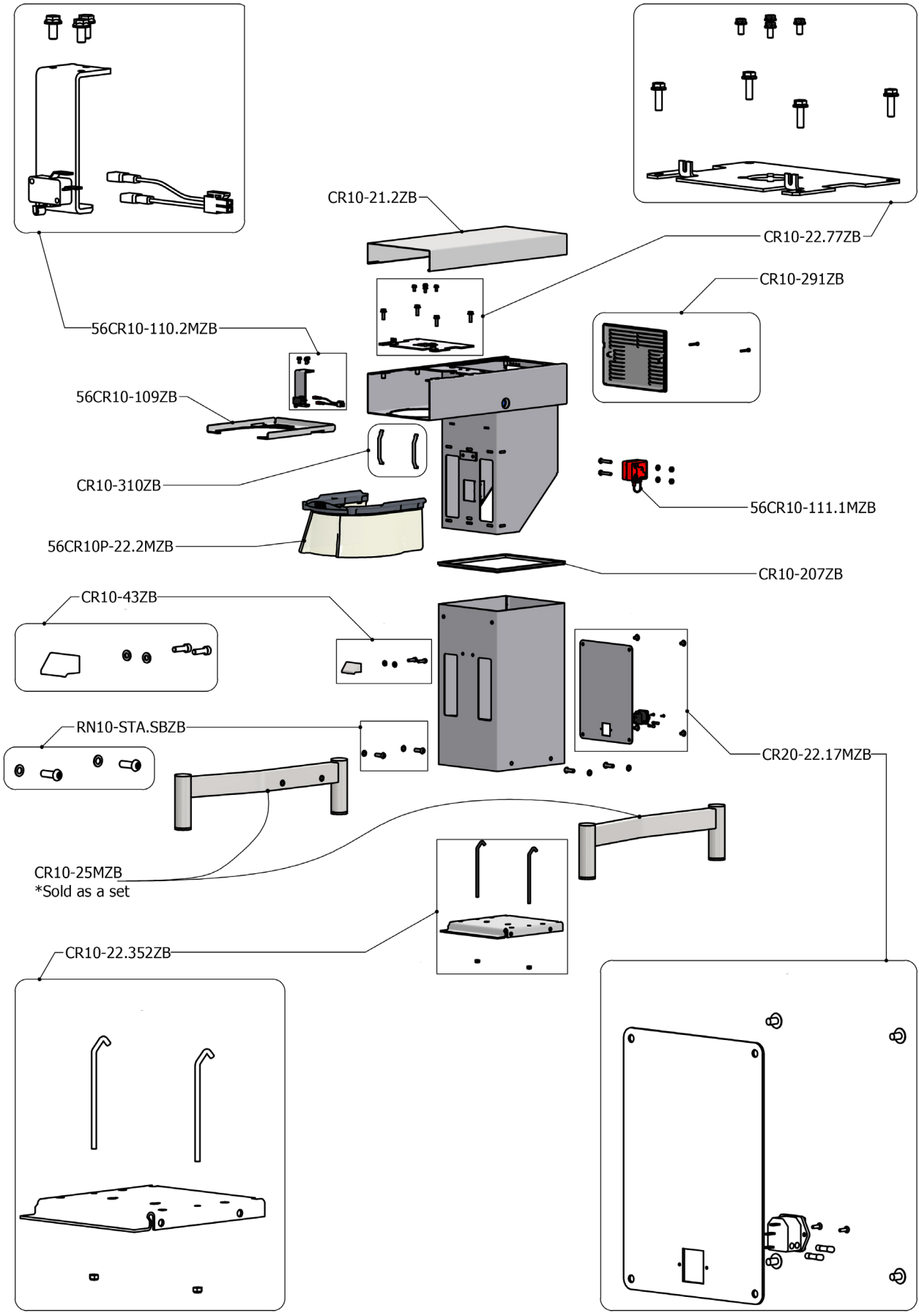


Components without an assigned item number are not sold separately.

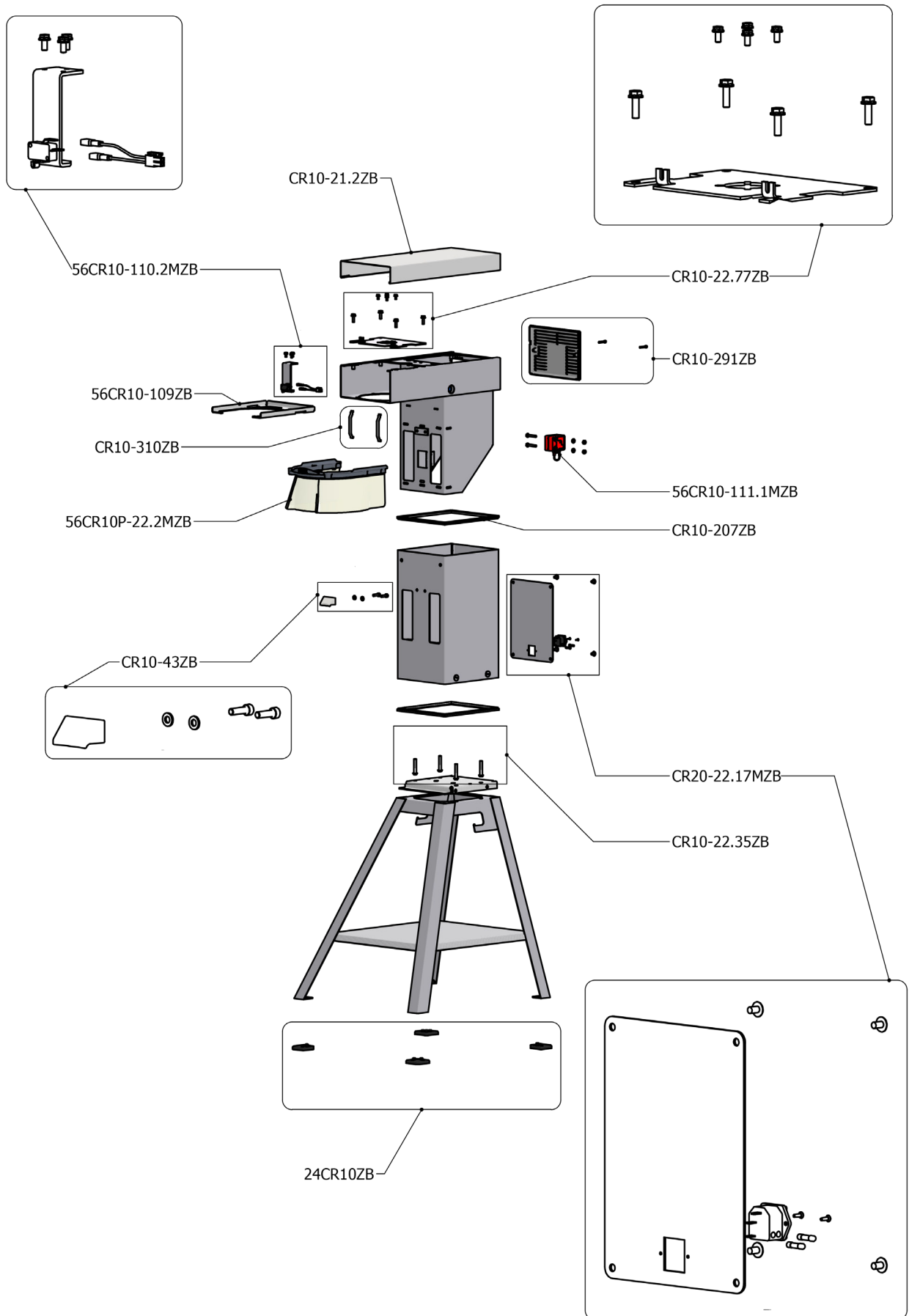
This page is intentionally left blank

**MACHINE HOUSING - TABLE MODEL****8**

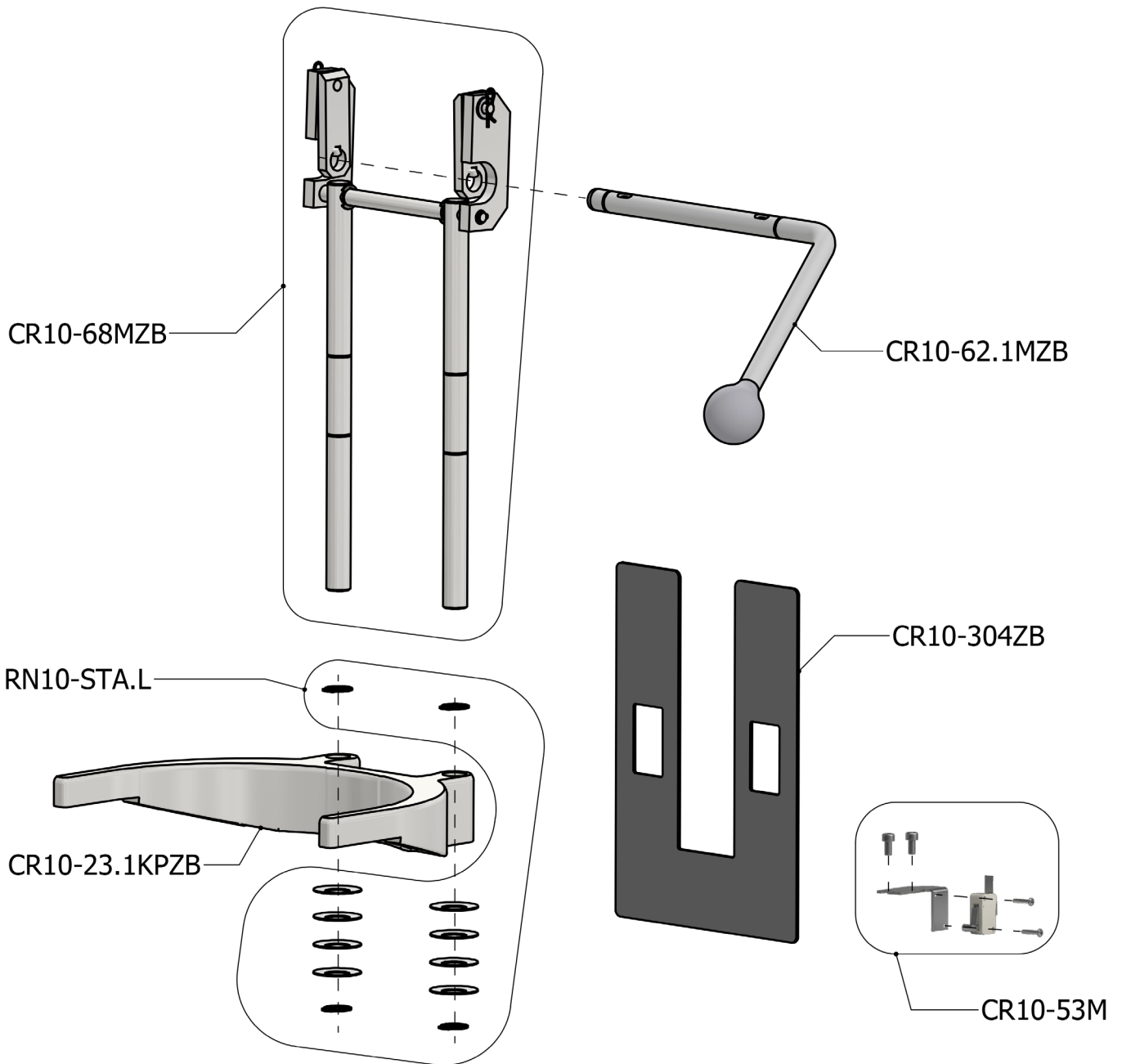
<b>ORDER NO.</b>	<b>DESCRIPTION</b>
CR10-21.2ZB	Lid stainless steel 10L
CR10-22.77ZB	RN10 Gear plate set
56CR10-110.2MZB	Switch bracket mounted
CR10-291ZB	Back plate for RN10 top part
56CR10-109ZB	Microswitch ring rem.safeguard 10L plast
CR10-310ZB	Spring for RN10 cover plate
56CR10-111.1MZB	Bowl detector bracket mounted
56CR10P-22ZB	RN10 Plastic safety guard
CR10-207ZB	RN10 Tower sealing
CR10-43ZB	RN10 Backstop for bowl
CR20-22.17MZB	Rear cover complete for RN10
RN10-STA.SBZB	STA items for RN10 Table model
CR10-25MZB	Table model legs RN10
CR10-22.352ZB	RN10 Bottomplate set table model



<b>ORDER NO.</b>	<b>DESCRIPTION</b>
CR10-21.2ZB	Lid stainless steel 10L
CR10-22.77ZB	RN10 Gear plate set
56CR10-110.2MZB	Switch bracket mounted
CR10-291ZB	Back plate for RN10 top part
56CR10-109ZB	Microswitch ring rem.safeguard 10L plast
CR10-310ZB	Spring for RN10 cover plate
56CR10-111.1MZB	Bowl detector bracket mounted
56CR10P-22ZB	RN10 Plastic safety guard
CR10-207ZB	RN10 Tower sealing
CR10-43ZB	RN10 Backstop for bowl
CR20-22.17MZB	Rear cover complete for RN10
CR10-22.35ZB	RN10 Bottomplate set floor model
24CR10ZB	rubberpad for floor stand RN10



ORDER NO.	DESCRIPTION
CR10-23.1KPZB	Bowl arm, stainless steel ball burnished
CR10-304ZB	Cover plate CR10
CR10-53MZB	Microswitch for RN10 mounted
CR10-62.1MZB	Lifting handle CR10
CR10-68MZB	Bowl lift mounted CR10
RN10-STA-L	Disk spring RN10



ORDER NO.	DESCRIPTION
RN20-194.19MZB	Communication cable VL2
CR10-194.15MZB	Cable 1F CR10
CR10-194.35MZB	Filter box with cable CR10
CR10-430ZB	Transformer 400-480V
CR10-194.17MZB	Safety circuit cable VL2 CR10

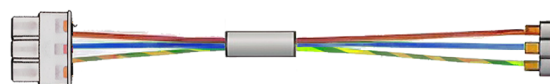
RN20-194.19MZB



CR10-194.15MZB

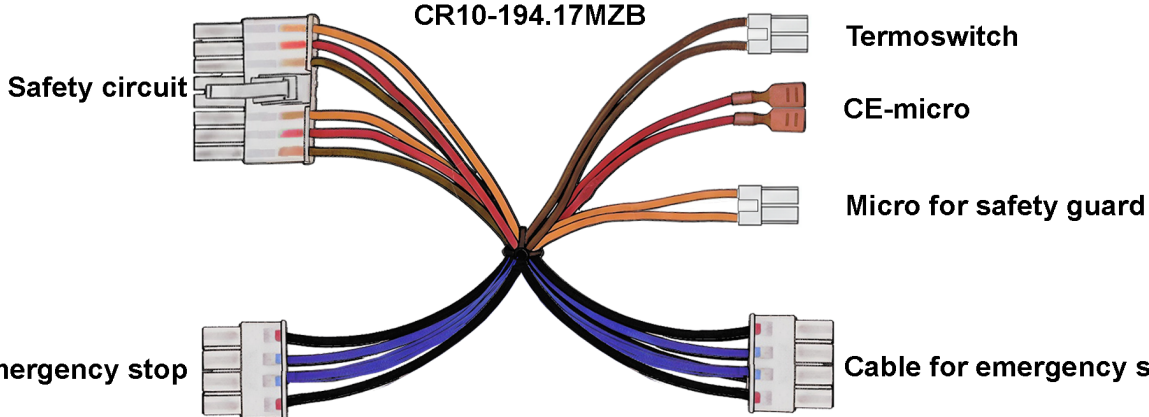


CR10-194.35MZB - For 220-240V



CR10-430ZB:  
Transformer for 400-480V

CR10-194.17MZB



Cable for emergency stop

Cable for emergency stop

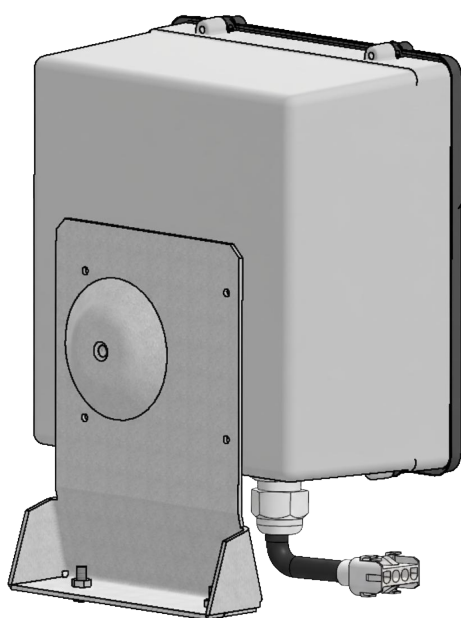
ORDER NO.	DESCRIPTION
CR10-174.35ZB	Emergency stop RN10, complete
CR10-501.1MZB	Frontpanel STD Hub+emerg.stop complete
CR10-501MZB	Frontpanel STD foil emerg.stop complete
CR10-552.2MZB	Frequency converter RN10 DSP complete



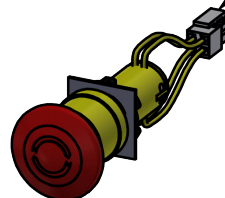
CR10-501MZB



CR10-501.1MZB



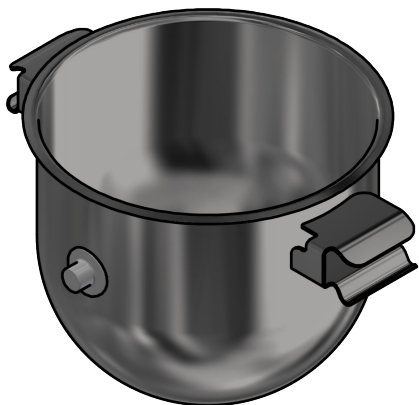
CR10-552.2MZB



CR10-174.35ZB

Components without an assigned item number are not sold separately.

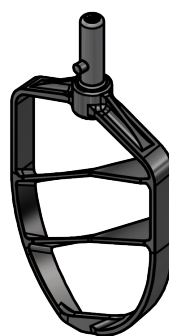
ORDER NO.	DESCRIPTION
42CR10-202ZB	Scraper standard PE CR10
42CR10-204ZB	Scraper blade standard PE CR10/10L
CR10-27MZB	RN10 stainless steel beater
CR10-28MZB	RN10 stainless steel whip 3mm
CR10-75MZB	10L bowl stainless steel
CR10-78MZB	RN10 stainless steel hook



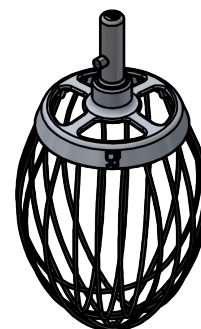
CR10-75MZB



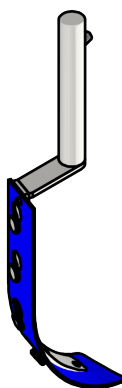
CR10-78MZB



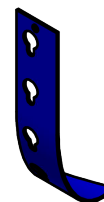
CR10-27MZB



CR10-28MZB



42CR10-202ZB



42CR10-204ZB



# Varimixer

Varimixer A/S  
Elementfabrikken 9  
DK-2605 Brøndby  
P: +45 4344 2288  
E: [info@varimixer.com](mailto:info@varimixer.com)  
[www.varimixer.com](http://www.varimixer.com)